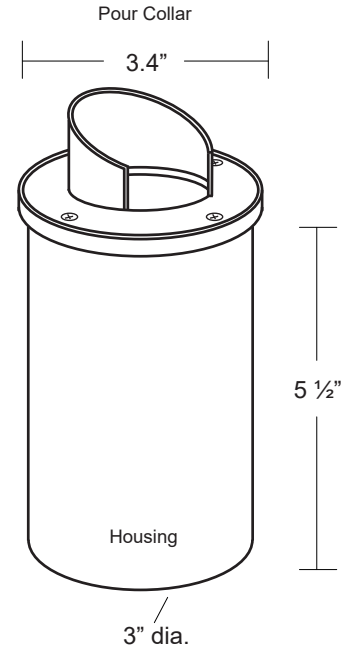
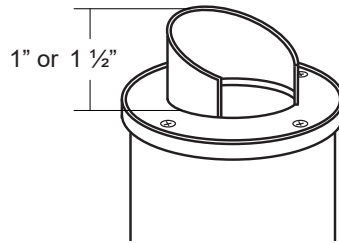


Specification-grade direct burial landscape lighting, wet-location luminaire for uplighting applications.

- Machined 6061-T6 copper-free aluminum. Aluminum components are black anodized, then a polyester powder coat finish is applied.
- Seven standard TGIC powder coat finishes and clear anodized finish available.
- Remote transformer required.
- GY 6.35 bi pin porcelain socket.
- IP 67 rated.
- Two glare shield heights available.
- Two opening sizes available.
- Tempered glass lens.
- Holds 3 lens accessories.
- Pour collar option available.
- 6 feet of 16/2 low voltage cable supplied.
- Listed for wet location use.
- Warranty: 10 Years.



Specifications:

MODEL:	IN-2	LAMPING:	MR16 Halogen (order separately) 35W Maximum (order separately) 8W LED (order separately)
MATERIAL:	6061-T6 Aluminum		
VOLTAGE:	12V		
WATTAGE:	35 Watt		
SOCKET:	GY-6.35 Bi-pin porcelain socket rated 600V, 250°C 18 ga, Teflon® coated leads.		

Ordering Logic:

MODEL	METAL	CUTOFF HEIGHT	OPENING SIZE	POUR COLLAR	FINISH	
IN - 2	A - Aluminum	S - Short (1") T - Tall (1 1/2")	90 - 90° 180 - 180°(tall only)	0 - None (standard) PC - Pour Collar (optional)	BK - Black BZ - Bronze WT - White BG - Beige	BKT - Black Texture BZT - Bronze Texture SL - Silver AC - Aged Copper

ORDERING EXAMPLE: IN - 2 - A - T - 90 - 0 - BK

Excelsior Lighting, Inc.

PROJECT

TYPE