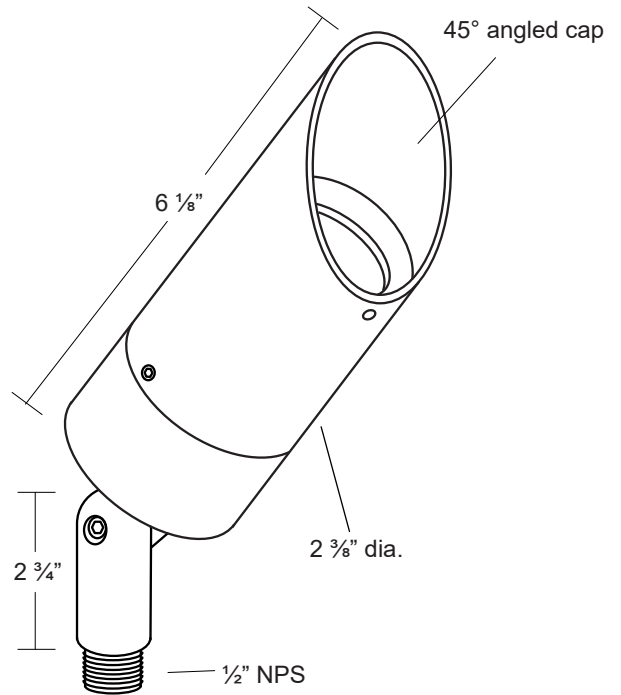


Specification-grade landscape lighting, wet-location luminaire for uplighting or downlighting applications. Can be utilized for ground mounted, tree mounted or surface mounted installations.

- Machined 6061-T6 copper-free aluminum. Aluminum components are black anodized, then a polyester powder coat finish is applied.
- Seven standard TGIC powder coat finishes and clear anodized finish available.
- Remote transformer required.
- Stainless steel hardware.
- 2ft. 18/2 LV wire leads.
- 45° angled cap for glare control holds 3 lens accessories.
- Clear tempered glass lens, glued in.
- High-temperature silicone O-ring seal used to seal the cap against the body.
- Molded silicone wire pass-thru attached to socket wire prevents wicking and water leaking into the lamp compartment.
- Listed for wet location use.
- Warranty: 10 Years.



Specifications

MODEL:	FA - 4	LAMPING:	MR16 Halogen (order separately) 50W Maximum (order separately) 8W LED (order separately)
MATERIAL:	6061-T6 Aluminum or C36000 Brass		
VOLTAGE:	12V		
WATTAGE:	50 Watt		
SOCKET:	GY-6.35 Bi-pin porcelain socket rated 600V, 250°C 18 ga, Teflon® coated leads.		

Ordering Logic:

MODEL	METAL	FINISH	
FA - 4	A - Aluminum	BK - Black	BKT - Black Texture
	B - Brass	BZ - Bronze	BZT - Bronze Texture
		WT - White	SL - Silver
		BG - Beige	DB - Dark Brass
		NT - Natural	AC - Aged Copper

ORDERING EXAMPLE: FA - 4 - A - BZT

Excelsior Lighting, Inc.

PROJECT

TYPE