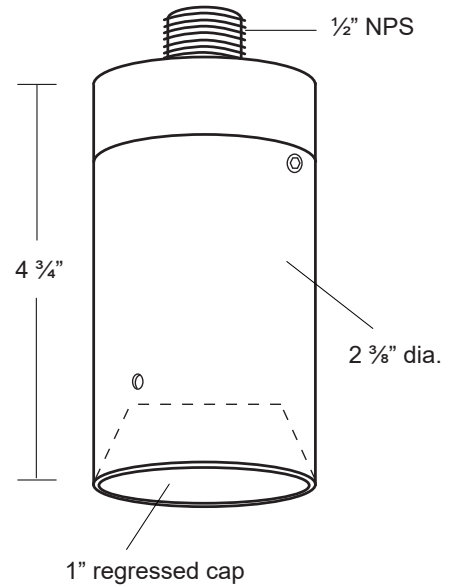
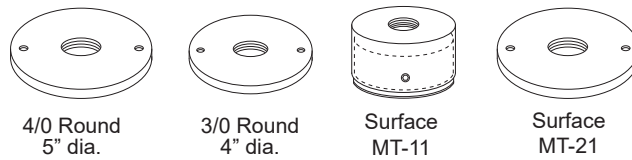


Specification-grade landscape lighting, wet-location luminaire for up lighting or down lighting applications. Can be utilized for ground mounted, tree mounted or surface mounted installations.

- Machined 6061-T6 copper-free aluminum. Aluminum components are black anodized, then a polyester powder coat finish is applied.
- Seven standard TGIC powder coat finishes and clear anodized finish available.
- High-temperature silicone O-ring seal used to seal the cap against the body.
- Molded silicone wire pass-thru attached to socket wire prevents wicking and water leaking into the lamp compartment.
- Remote transformer required.
- Stainless steel hardware.
- 10" 18ga. Teflon coated wire leads.
- GY 6.35 bi pin socket.
- Tempered clear glass lens.
- 1" regressed lens cap holds 1 lens accessory.
- Listed for wet location use.
- Warranty: 10 Years.

Mounting Plate Options:



Specifications

MODEL: DL-11
 MATERIAL: 6061-T6 Aluminum
 VOLTAGE: 12V
 WATTAGE: 35W
 SOCKET: GY 6.35 Bi-pin porcelain socket rated 600V, 250°C 18 ga., Teflon® coated leads.

Stem Length Options:
 3" - 18"
 LAMPING: MR16 Halogen, 35W Maximum (order separately)
 8W LED (order separately)

Ordering Logic:

MODEL	METAL	MOUNTING PLATE	STEM LENGTH	FINISH
DL - 11	A - Aluminum	1 - 4/0 Round 2 - 3/0 Round 3 - Surface MT-11 4 - Surface MT-21	0 - None 9 - 9" 3 - 3" 12 - 12" 6 - 6" 18 - 18"	BK - Black BZ - Bronze WT - White BG - Beige BKT - Black Texture BZT - Bronze Texture SL - Silver AC - Aged Copper

ORDERING EXAMPLE: DL - 11 - A - 1 - 0 - BK

Excelsior Lighting, Inc.

PROJECT

TYPE