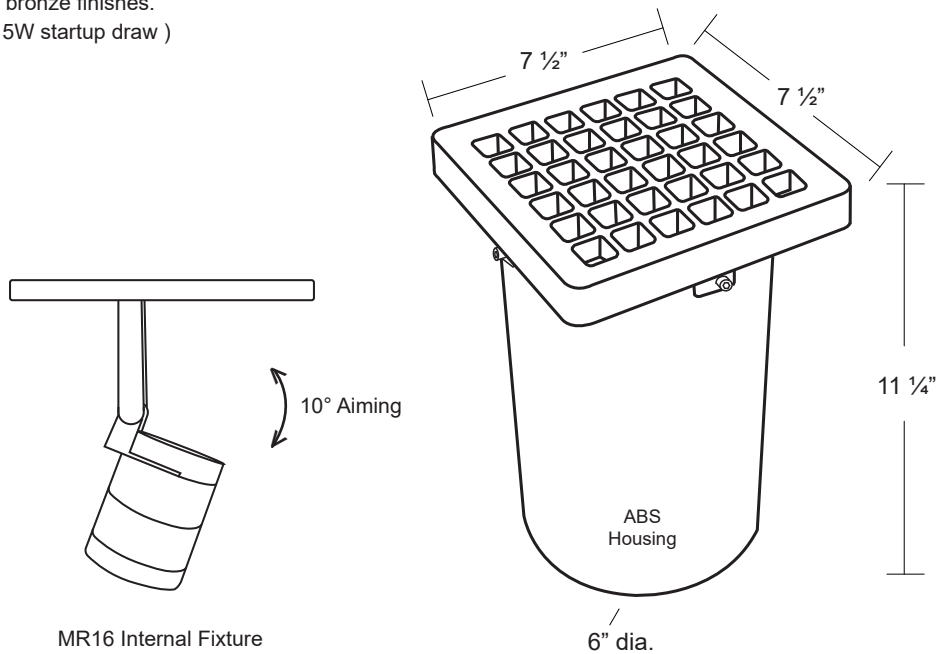


# IN-GROUND WELL LIGHT 12VAC/DC 12W LED MODULE MODEL IN-14L

Specification-grade well light, wet-location luminaire for uplighting applications.

- Cast bronze or aluminum frame and grate.
- Seven standard TGIC powder coat finishes and two bronze finishes.
- Adjustable LED module : 2W, 4W, 6W, 9W, 12W. ( 15W startup draw )
- CRI = 80
- Available in 2700K, 3000K.
- Field replaceable
- Remote magnetic transformer required.
- Not compatible with electronic transformers.
- IP 67 rated.
- 10 degrees of aiming adjustment.
- Machined aluminum lamp holder.
- ABS housing: 6" dia. x 10 1/2" OAL.
- Tempered glass lens.
- Holds 2 lens accessories.
- Suitable for drive-over installations.
- 6 feet of 16/2 low voltage cable supplied.
- Listed for wet location use.
- Warranty: 25 Years.



## Specifications:

MODEL: IN - 14L

MATERIAL: Cast Aluminum or Cast Bronze

VOLTAGE: 12VAC/DC

WATTAGE: 2W - 12W Adjustable

SOCKET: GY 6.35 Bi-pin porcelain socket rated 600V, 250°C 18 ga, Teflon® coated leads.

LAMPING: 2W - 12W Adjustable LED Module

Wattage	2700K	3000K
2W	210 lms.	230 lms.
4W	340 lms.	385 lms.
6W	580 lms.	670 lms.
9W	820 lms.	915 lms.
12W	960 lms.	1165 lms.

## Ordering Logic:

MODEL	METAL	FINISH	
IN - 14L	A - Aluminum	BK - Black	BKT - Black Texture
		BZ - Bronze	BZT - Bronze Texture
	B - Bronze	WT - White	SL - Silver
		BG - Beige	AC - Aged Copper
		NT - Natural	DB - Dark Bronze

ORDERING EXAMPLE: IN - 14L - B - BK - 55\*

\*See Page 2 to select module type to be installed

Excelsior Lighting, Inc.

PROJECT

TYPE

12W MULTI-LEVEL - 2W, 4W, 6W, 9W, 12W (210-1165 Lumens)



- True equivalent to MR16 20W/35W/50W Halogen (equivalent CBCP)
- 2700K or 3000K
- Equivalent to either 50W, 35W or 20W halogen light output levels
- 12VAC/DC
- G5.3 bi pin base
- 15W startup draw
- Interchangeable lenses: 15°, 30°, 45°, 60°
- Superior Light Output and thermal performance compared to LED Replacement Lamps
- Compatible with low-voltage magnetic transformers
- L70=60,000 hours
- 3 Year warranty
- FCC Compliant
- RoHS Compliant
- Pb Free
- Field replaceable

#	Specifications	Lumens
50	2W - 12W, 2700K, 15°	210-960
51	2W - 12W, 2700K, 30°	210-960
52	2W - 12W, 2700K, 45°	210-960
60	2W - 12W, 2700K, 60°	210-960
53	2W - 12W, 3000K, 15°	230-1165
54	2W - 12W, 3000K, 30°	230-1165
55	2W - 12W, 3000K, 45°	230-1165
61	2W - 12W, 3000K, 60°	230-1165

Wattage	2700K	3000K
2W	210 lms.	230 lms.
4W	340 lms.	385 lms.
6W	580 lms.	670 lms.
9W	820 lms.	915 lms.
12W	960 lms.	1165 lms.



15° / 30° / 45° / 60°

Beam angle easily changed through replacing lens.

15°



45°



30°



60°

