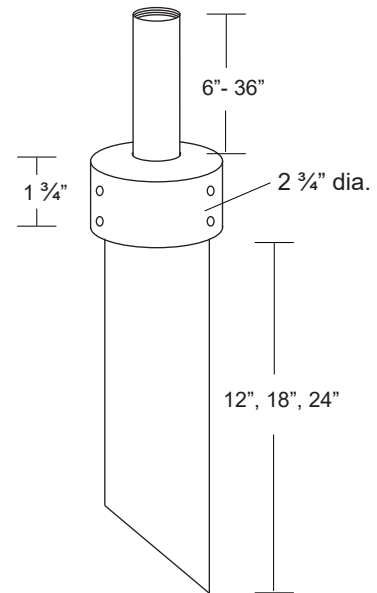


Adjustable ground stake for ground-mounting low voltage luminaires.

- Machined aluminum cap and riser.
- Cap and riser have polyester powder coat finish.
- Seven standard TGIC powder coat finishes and clear anodized finish available.
- 1/2" NPS threaded hole accepts industry standard luminaires.
- Stainless steel locking screws used to lock cap to PVC stake.
- Riser lengths from 6" to 36".
- PVC stake lengths: 12", 18" or 24".
- CSA & UL listed for wet location landscape use (UL1838).
- Warranty: Aluminum: 10 years, Brass: 25 years.



Specifications

MODEL: MT-2
 MOUNTING: 1/2" NPS

Ordering Logic:

MODEL	METAL	STAKE LENGTH		RISER LENGTH		CAP FINISH	
MT - 2	A - Aluminum	12 - 12"	18 - 18"	0 - None	6" - 6"	BK - Black	BKT - Black Texture
	B - Brass	24 - 24"		9" - 9"	12 - 12"	BZ - Bronze	BZT - Bronze Texture
				18 - 18"	24 - 24"	WT - White	SL - Silver
				30 - 30"	36 - 36"	BG - Beige	AC - Aged Copper
						NT - Natural	DB - Dark Bronze

ORDERING EXAMPLE: MT - 2 - A - 12 - 12 - BZ

Excelsior Lighting, Inc.

PROJECT

TYPE