

Model	WA-45L
Lamp:	C.O.B LED Modules
Maximum Wattage:	8, 16 or 31 watt
Input Voltage:	120V-277V (driver included)
Material:	Machined Aluminum
Hardware:	Stainless Steel
Finishes:	Seven Polyester Powder Coat
Lens:	Tempered Clear Glass
Optics:	Three interchangeable reflector optics included
Cap:	Three cap styles available
Mounting:	1/2" NPS, box mount included
IP Rating:	66
Certification:	Wet location
Wiring:	10" 18 ga Teflon Coated
Weight:	2.1 lbs.
Warranty:	10 Years
Dimensions:	3 1/2" dia. x 4 3/4" overall



Shown in Bronze Texture Powder Coat Finish (BZT)



METALS:

6061-T6 Aluminum



ANODIZING PROTECTION:

To increase the corrosion resistance in our products, we use a three-step process:

1. Machine 6061-T6 copper-free aluminum.
2. Anodized pre-treatment applied.
3. Polyester powder coat finish applied.



ORDERING LOGIC:

Model:	WA - 45L	
Cap Style:	1 - 90° Flush 3 - 30° Angle	2 - 90° Regress
Finish:	BK - Black BZ - Bronze WT - White BG - Beige	BKT - Black Texture BZT - Bronze Texture SL - Silver AC - Aged Copper

MT-49 BOX:

Made for surface mount applications the MT-49 fits onto a standard 4/0 junction box. The MT-49 accepts standard 4/0 round junction box cover.



ORDERING EXAMPLE: WA - 45L -1 - BK - 643*

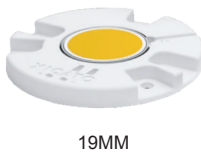
*See specification sheet to select module type to be installed.

Xicato XTM LED Modules with Corrected Cold Phosphor Technology

- Flux packages from 700lm to 2000lm.
- CCT range from 2700K to 4000K.
- Integrated DC driver electronics.
- Efficacy up to 99 lm/W.
- Very tight color consistency, within 1x2 MacAdam ellipses initially and 3 MacAdam ellipses after 50,000 hours.
- A verifiable 50,000 hour/7 year operational warranty.
- Warranty: 5 Years



XTM SERIES



C.O.B LED MODULE OPTIONS

	XTM MODULE	COLOR
700 LUMENS 8 watts	640	2700K
	641	3000K
	642	3500K
	643	4000K
1300 LUMENS 16 watts	644	2700K
	645	3000K
	646	3500K
	647	4000K
2000 LUMENS 31 watts	648	2700K
	649	3000K
	650	3500K
	651	4000K
3000 LUMENS 31 watts	652	2700K
	653	3000K
	654	3500K
	655	4000K



20° Spot



42° Flood



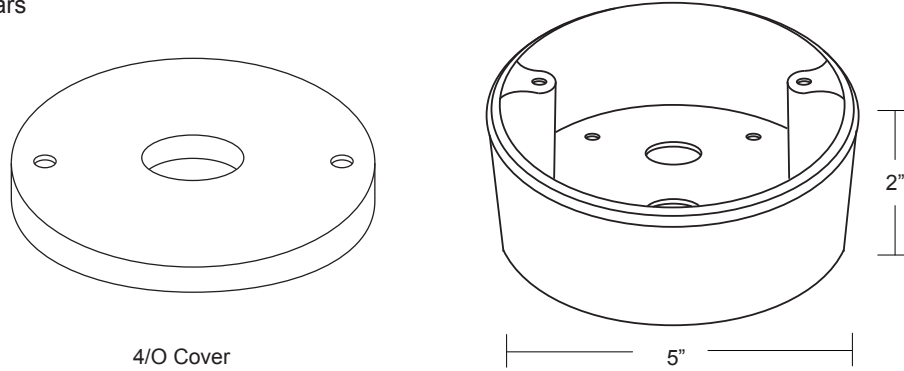
60° Wide Flood

INTERCHANGEABLE OPTICS

POWERED SURFACE MOUNT FOR WA-45L 120-277 VAC

Machined powered surface mount with cover. Designed for mounting a single luminaire for surface mount installation with LED driver.

- Machined aluminum construction.
- 120-277 VAC driver.
- Dimmable driver included for use with standard incandescent dimmers. 10-100% range:
8W, 16W or 31W
- Seven standard TGIC powder coat finishes and clear anodized finish available.
- Two 7/8" slip holes. Accepts industry standard conduit connectors.
- Fits onto 4/0 standard J-Box.
- Listed for wet location use.
- Warranty: Mounting - 10 years
Driver - 5 years



Excelsior Lighting, Inc.

PROJECT

TYPE

8 WATT/16 WATT DRIVER

- 120-277VAC Input
- Output 14 - 24 VDC
- Dims with TRIAC and ELV dimmers at 120VAC only
- Dims with industry standard 0-10V dimmers (108-305VAC)
- Max Output Power: 10W to 50W
- 2 case sizes, 10-30W and 40-50W
- Efficiency up to 84%
- 90°C Top case rated
- <20% THD, >0.9 PF
- Fast start up time
- UL 8750 Approved, UL LED Class 2 outputs
- Class II isolation
- Long Life
- RoHS Compliant



APPLICATIONS AND BENEFITS

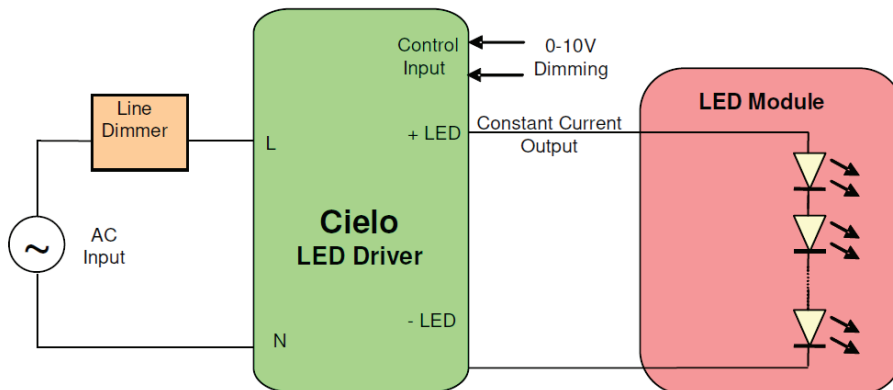
Cielo LED drivers are designed for powering LED luminaires using standard lighting controls.

Their discreet size easily fits into the space constrained LED fixtures of today's growing Commercial, Residential and Architectural lighting markets.

The modules operate with:

- Standard Light Switches
- 0-10V Dimmers
- Triac based Incandescent Dimmers (Forward phase – leading edge)
- Electronic Low Voltage Dimmers (Reverse Phase – trailing edge)

The following diagram depicts a typical installation utilizing the Cielo:



Cielo's Dimming Options:

- Analog Dimming (0-10V) input provides 10-100% lout Dimming
- AC line dimming from Triac or ELV dimmers (120VAC)
- Dimming range down to less than 10% nominal output current

31 WATT DRIVER

- Wide input voltage range: 120 – 277 VAC
- Constant current output
- Output 20 - 43 VDC
- IEEE 1789 Compliant (tested from 50% to 100% I_{max})
- Low dimming level (down to 1 % of max current)
- IP 64 package
- Low standby power consumption (<0.5 W)
- High efficiency (up to 88 %)
- Easily programmable via RFID (wireless) or wired tools
- Programmable output current settings
- Dimmable with 1-10V / 0-10V dimmers. Dim to OFF (DTO)
- Temperature sensor input (NTC) to protect the LED light engine
- Intended for convection cooling operation
- UL Class 2 output, reinforced / double isolation
- Wide operating temperature range -30 C up to 90 °C T_c
- 8-year warranty under useful life condition

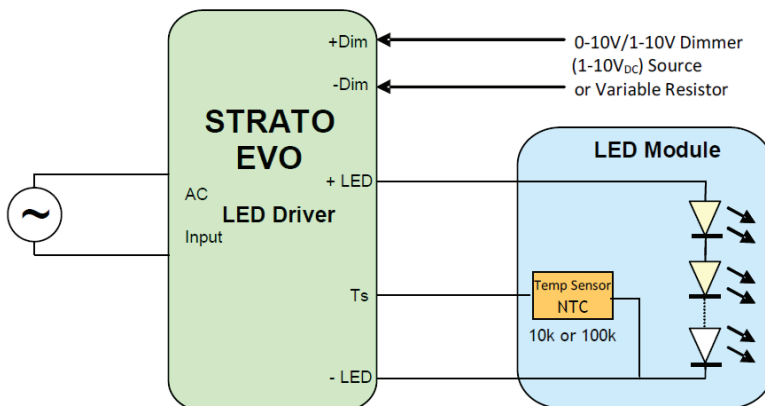


APPLICATIONS AND BENEFITS

STRATO EVO 40W is designed for directly powering LEDs in commercial and industrial lighting applications. The product's extremely small form factor and high efficiency makes it suitable for integration into most light fixtures and standard electrical junction boxes.

A host of integrated control features:

- Simplify Light Fixture Design
- Ease Safety Approval Cycles
- Lower Fixture Complexity and Cost



STRATO EVO's versatile control features:

- A Temperature sensor (NTC thermistor) protects the LED from over-temperature. The NTC can be either a 10 k Ω or 100 k Ω
- A 2 wire Dimming input provides both output trimming, and 1 to 100 % IOUT Dimming function.