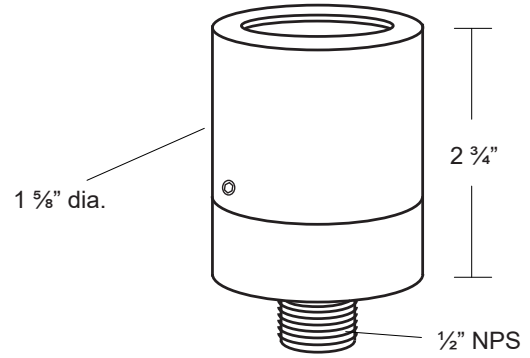


Specification-grade landscape lighting, wet-location luminaire for uplighting applications.

- Machined 6061-T6 copper-free aluminum. Aluminum components are black anodized, then a polyester powder coat finish is applied.
- Seven standard TGIC powder coat finishes and clear anodized finish available.
- Remote transformer required.
- Stainless steel hardware.
- 10" 18ga. Teflon coated wire leads.
- 1/2" NPS mount threads (Mount not included.)
- Tempered clear glass lens.
- Flush lens cap holds 3 lens accessories.
- High-temperature silicone O-ring seal used to seal the cap against the body.
- Molded silicone wire pass-thru attached to socket wire prevents wicking and water leaking into the lamp compartment.
- Listed for wet location use.
- Warranty: 10 Years.



Specifications:

MODEL:	UD-1	LAMPING:	MR11 Halogen (order separately) 20W Maximum (order separately) 2W LED (order separately)
MATERIAL:	6061-T6 Aluminum	FINISHES:	BK - Black BKT - Black Texture BZ - Bronze BZT - Bronze Texture WT - White SL - Silver BG - Beige CA - Clear Anodized
VOLTAGE:	12V		
WATTAGE:	20 Watt		
SOCKET:	GY 6.35 Bi-pin porcelain socket rated 600V, 250°C 18 ga, Teflon® coated leads.		

Ordering Logic:

MODEL	METAL	FINISH	
UD - 1	A - Aluminum	BK - Black BZ - Bronze WT - White BG - Beige	BKT - Black Texture BZT - Bronze Texture SL - Silver CA - Clear Anodized

ORDERING EXAMPLE: UD - 1 - A - BK

Excelsior Lighting, Inc.

PROJECT

TYPE