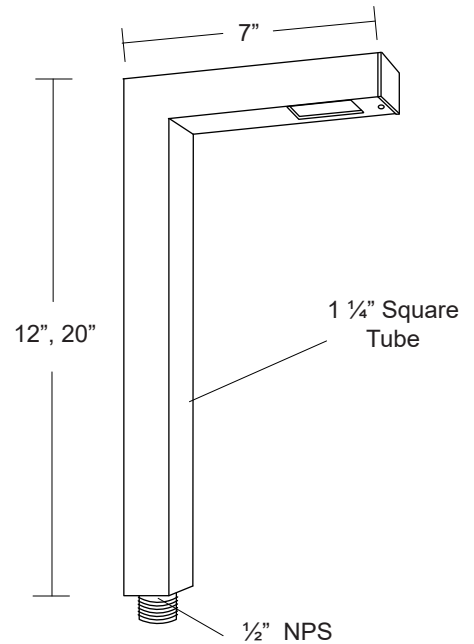


Specification-grade landscape lighting, wet-location luminaire for path or garden lighting applications.

- Machined aluminum with seven polyester powder coat finishes.
- Machined brass construction with two finishes available*.
- Available in Seven standard TGIC powder coat finishes and natural or dark bronze finishes.
- Remote transformer required.
- Stainless steel hardware.
- 6 feet of 18/2 low voltage cable supplied.
- Available in 12" or 20" height.
- Frosted, tempered glass lens.
- 1/2" NPS mount threads (Mount not included.)
- High-temperature silicone O-ring seals are used to seal the cap against the body.
- Listed for wet location use.
- Warranty: Aluminum: 10 Years, Brass: 25 Years.



Specifications

MODEL:	PL-15	LAMPING:	T4 Halogen (order separately) 35W Maximum (order separately) 4W LED (order separately)
MATERIAL:	Aluminum or Brass		
VOLTAGE:	12V		
WATTAGE:	35 Watt		
SOCKET:	GY 6.35 Bi-pin porcelain socket rated 600V, 250°C 18 ga, Teflon® coated leads.		

Ordering Logic:

MODEL	METAL	STEM LENGTH		FINISH	
PL-15	A - Aluminum B - Brass	12 - 12"	20 - 20"	BK - Black BZ - Bronze WT - White BG - Beige NT - Natural	BKT - Black Texture BZT - Bronze Texture SL - Silver AC - Aged Copper DB - Dark Bronze

ORDERING EXAMPLE: PL - 15 - B - 12 - NT

Excelsior Lighting, Inc.

PROJECT

TYPE