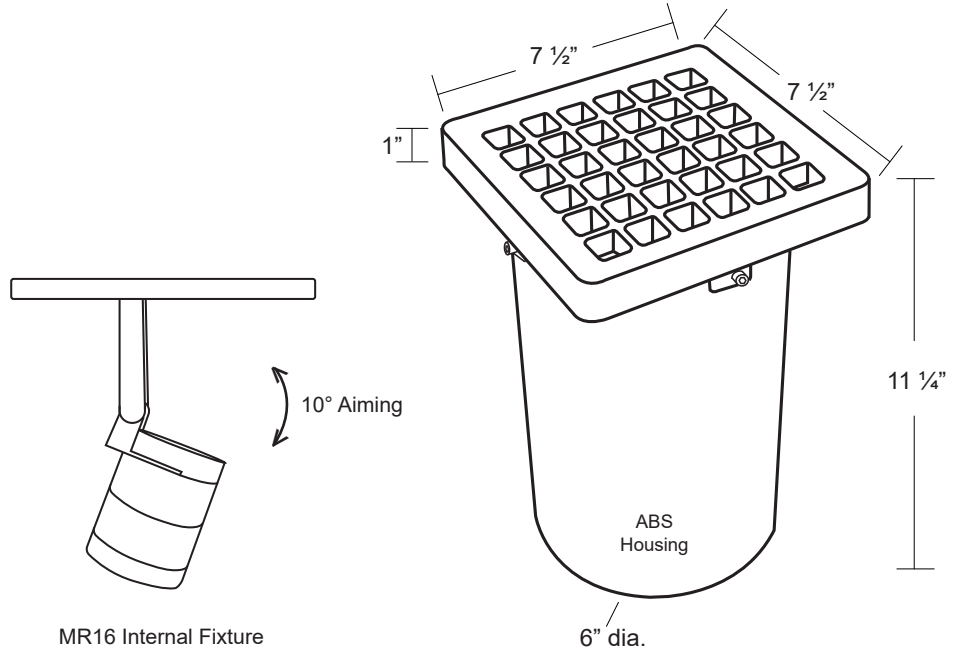


IN-GROUND WELL LIGHT 12V MR16 35W 8W LED MODEL IN-4

Specification-grade well light, wet-location luminaire for uplighting applications.

- Cast bronze or aluminum frame and grate.
- Seven standard TGIC powder coat finishes and two bronze finishes.
- Remote transformer required.
- GY 6.35 bi pin porcelain socket.
- IP 68 rated.
- 10 degrees of aiming adjustment.
- Machined aluminum lamp holder.
- ABS housing: 6" dia. x 10 1/2" OAL.
- Tempered glass lens.
- Holds 3 lens accessories.
- Suitable for drive-over installations.
- 6 feet of 16/2 low voltage cable supplied.
- Listed for wet location use.
- Warranty: 25 Years.



Specifications:

MODEL:	IN-4	LAMPING:	MR16 Halogen (order separately) 35W Maximum (order separately) 8W LED (order separately)
MATERIAL:	Cast Aluminum Cast Bronze		
VOLTAGE:	12V		
WATTAGE:	35 Watt		
SOCKET:	GY-6.35 Bi-pin porcelain socket rated 600V, 250°C 18 ga, Teflon® coated leads.		

Ordering Logic:

MODEL	METAL	FIXTURE REGRESS	FINISH	
IN - 4	A - Aluminum B - Bronze	1 - 1 3/4" 2 - 3" (standard)	BK - Black BZ - Bronze WT - White BG - Beige NT - Natural	BKT - Black Texture BZT - Bronze Texture SL - Silver DB - Dark Bronze AC - Aged Copper

ORDERING EXAMPLE: IN - 4 - B - 1 - BK

Excelsior Lighting, Inc.

PROJECT

TYPE