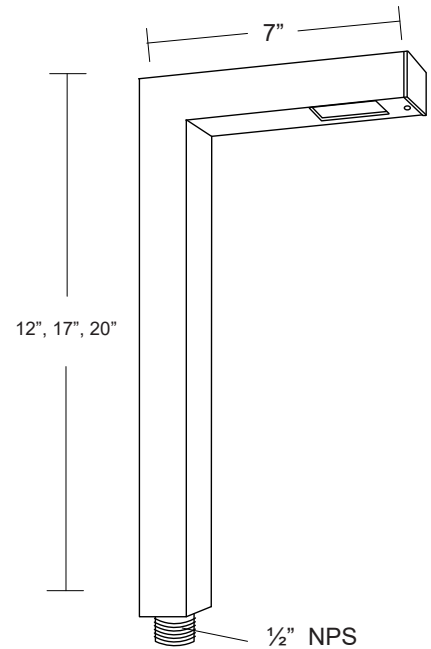


Specification-grade landscape lighting, wet-location luminaire for path or garden lighting applications.

- Extruded bronze and machined brass.
- Available in Seven standard TGIC powder coat finishes and natural or dark bronze finishes.
- Remote transformer required.
- Stainless steel hardware.
- 6 feet of 18/2 low voltage cable supplied.
- Available in 12", 17", or 20" height.
- Frosted tempered glass lens, glued in.
- 1/2" NPS mount threads (Mount not included.)
- High-temperature silicone O-ring seals are used to seal the cap against the body.
- Listed for wet location use.
- Warranty: 25 Years.



Specifications

MODEL:	PL-10	LAMPING:	T4 Halogen (order separately) 35W Maximum (order separately) 2.5W LED (order separately)
MATERIAL:	Extruded bronze & machined brass		
VOLTAGE:	12V		
WATTAGE:	35 Watt		
SOCKET:	GY 6.35 Bi-pin porcelain socket rated 600V, 250°C 18 ga, Teflon® coated leads.		

Ordering Logic:

MODEL	METAL	STEM LENGTH	FINISH	
PL - 10	B - Brass	12 - 12"	BK- Black	BKT - Black Texture
		17 - 17"	BZ - Bronze	BZT - Bronze Texture
		20 - 20"	WT - White	SL - Silver
			BG - Beige	AC - Aged Copper
			NT - Natural	DB - Dark Bronze

ORDERING EXAMPLE: PL - 10 - B - 12 - NT

Excelsior Lighting, Inc.

PROJECT

TYPE