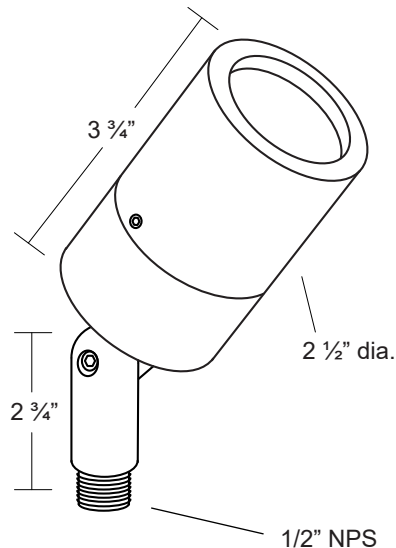


FLOOD/ACCENT LIGHT 12VAC/DC 9W LED MODULE MODEL FA-1L

Specification-grade landscape lighting, wet-location luminaire for uplighting or downlighting applications. Can be utilized for ground mounted, tree mounted or surface mounted installations.

- Machined 6061-T6 copper-free aluminum. Aluminum components are black anodized, then a polyester powder coat finish is applied.
- Seven standard TGIC powder coat finishes and clear anodized finish available.
- Adjustable LED module: 2W, 4W, 6W, 9W. (12W startup draw)
- CRI = 85
- Available in 2700K, 3000K, 4000K.
- Remote magnetic transformer required.
- Not compatible with electronic transformers.
- Stainless steel hardware.
- 2ft 18/2 LV wire leads.
- Flush cap for wide distribution holds 2 lens accessories.
- 1/2" NPS Mount Threads (Mount not included.)
- Clear tempered glass lens, glued in.
- High-temperature silicone O-ring seal used to seal the cap against the body.
- Molded silicone wire pass-thru attached to socket wire prevents wicking and water leaking into the lamp compartment.
- Listed for wet location use.
- Warranty: 10 Years.



Specifications

MODEL: FA - 1L
 MATERIAL: 6061-T6 Aluminum
 VOLTAGE: 12 VAC/DC
 WATTAGE: 2W, 4W, 6W, 9W
 SOCKET: GY 6.35 Bi-pin porcelain socket rated 600V, 250°C 18 ga, Teflon ® coated leads

LAMPING: 9W LED Module (12W startup draw)

| Wattage | 2700k | 3000K | 4000K |
|---------|----------|----------|---------|
| 2W | 165 lms | 190 lms | 210 lms |
| 4W | 345 lms. | 360 lms. | 385 lms |
| 6W | 515 lms. | 530 lms. | 590 lms |
| 9W | 720 lms. | 800 lms. | 860 lms |

Ordering Logic:

| MODEL | METAL | FINISH | MODULE |
|--------|--------------|---|--|
| FA -1L | A - Aluminum | BK - Black BZ - Bronze WT - White BG - Beige | BKT - Black Texture BZT - Bronze Texture SL - Silver AC - Aged Copper See Page 2 |

ORDERING EXAMPLE: FA - 1L - A - BZT - 52*

*See Module sheet to select module type to be installed

Excelsior Lighting, Inc.

PROJECT:

TYPE:

9W MULTI-LEVEL - 2W, 4W, 6W, 9W (165-860 Lumens)



- Equivalent to MR16 20W/35W/50W/75W Halogen (equivalent CBCP)
- Four light levels, 2700K, 3000K, or 4000K
- 10.8-13.2V AC/DC
- 12W startup draw
- Interchangeable lenses: 15°, 30°, 45°, 60°
- Superior Light Output and thermal performance compared to LED Replacement Lamps
- Compatible with low-voltage magnetic transformers
- L70=60,000 hours
- 3 Year warranty
- FCC Compliant
- RoHS Compliant
- Pb Free
- Field Replaceable

| # | Specifications | Lumens |
|----|---------------------|---------|
| 50 | 2W - 9W, 2700K, 15° | 165-720 |
| 51 | 2W - 9W, 2700K, 30° | 165-720 |
| 52 | 2W - 9W, 2700K, 45° | 165-720 |
| 60 | 2W - 9W, 2700K, 60° | 165-720 |
| 53 | 2W - 9W, 3000K, 15° | 190-800 |
| 54 | 2W - 9W, 3000K, 30° | 190-800 |
| 55 | 2W - 9W, 3000K, 45° | 190-800 |
| 61 | 2W - 9W, 3000K, 60° | 190-800 |
| 62 | 2W - 9W, 4000K, 15° | 210-860 |
| 63 | 2W - 9W, 4000K, 30° | 210-860 |
| 64 | 2W - 9W, 4000K, 45° | 210-860 |
| 65 | 2W - 9W, 4000K, 60° | 210-860 |

| Wattage | 2700k | 3000K | 4000K |
|---------|----------|----------|---------|
| 2W | 165 lms | 190 lms | 210 lms |
| 4W | 345 lms. | 360 lms. | 385 lms |
| 6W | 515 lms. | 530 lms. | 590 lms |
| 9W | 720 lms. | 800 lms. | 860 lms |

LENSES INCLUDED

15°



45°



30°



60°

