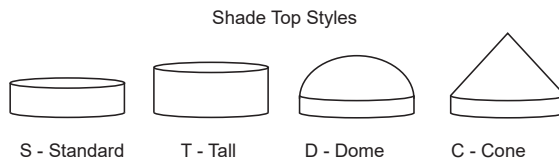
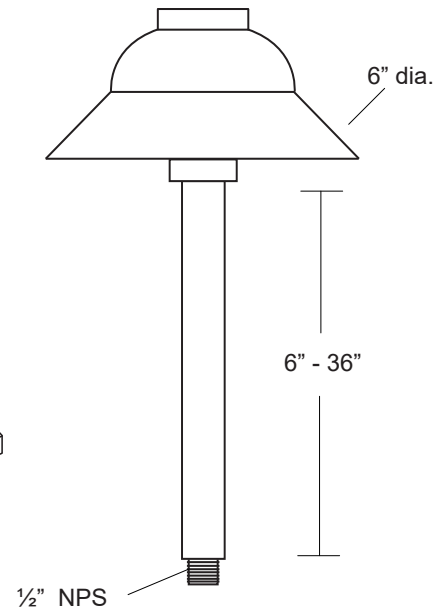


Specification-grade landscape lighting, wet-location luminaire for path or garden lighting applications.

- Machined aluminum, available in seven standard TGIC powder coat finishes and clear anodized finish.
- Machined brass or copper, available in two finishes.
- Remote transformer required.
- Stainless steel hardware.
- 6 feet of 18/2 low voltage cable supplied.
- Shade diameter of 6".
- Stems lengths of 6" - 36" available.
- Frosted or clear tempered glass lens, glued in.
- 1/2" NPS mount threads (Mount not included.)
- High-temperature silicone O-ring seals are used to seal the cap against the body.
- Molded silicone wire pass-thru is attached to socket wire prevents wicking and water leaking into the lamp compartment.
- Listed for wet location use.
- Warranty: 10 Years.



Specifications

MODEL:	PL-4	LAMPING:	T4 Halogen (order separately) 35W Maximum (order separately) 4W LED (order separately)
MATERIAL:	Machined Aluminum, Brass or Copper		
VOLTAGE:	12V		
WATTAGE:	35 Watt		
SOCKET:	GY 6.35 Bi-pin porcelain socket rated 600V, 250°C 18 ga, Teflon® coated leads.		

Ordering Logic:

MODEL	METAL	LENS STYLE	SHADE TOP	STEM LENGTH	FINISH
PL - 4	A - Aluminum	F - Frosted	S - Standard	6 - 6" 18 - 18"	BK - Black BKT - Black Texture
	B - Brass	C - Clear	T - Tall	9 - 9" 24 - 24"	BZ - Bronze BZT - Bronze Texture
	C - Copper Shade		D - Dome	12 - 12" 30 - 30"	WT - White SL - Silver
			C - Cone	36 - 36"	BG - Beige AC - Aged Copper
				NT - Natural DB - Dark Bronze	

ORDERING EXAMPLE: PL - 4 - A - F - D - 12 - BZT

Excelsior Lighting, Inc.

PROJECT

TYPE