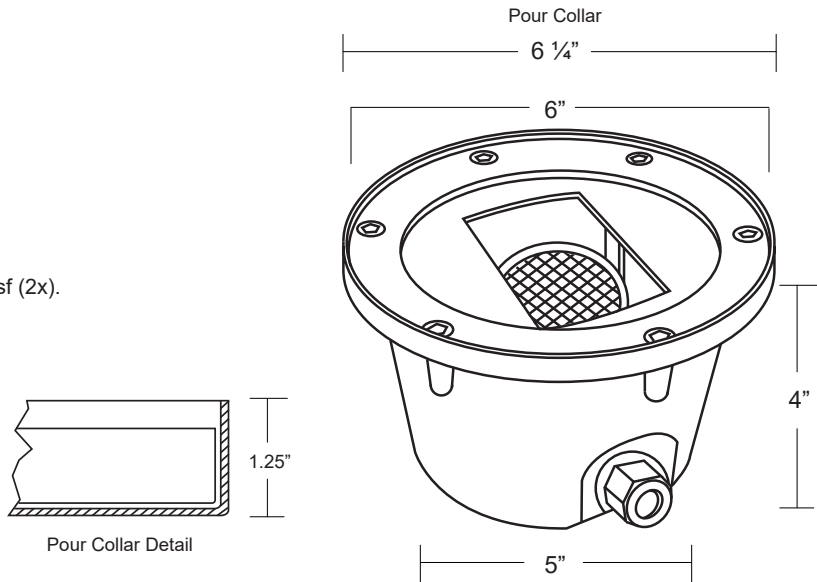


# IN-GROUND LIGHT 12V MR16 35W PAR36 18.5W LED MODEL IN-6

Specification-grade direct burial landscape lighting, wet-location luminaire for up lighting applications.

- Cast bronze top & housing.
- Seven standard TGIC powder coat finishes and two bronze finishes.
- GY 6.35 bi pin porcelain socket.
- IP 68 rated.
- 20 degrees of vertical aiming adjustment.
- Hot-aiming feature is standard.
- 360 degrees of rotational aiming adjustment.
- Tempered glass lens.
- Internal cutoff shield reduces glare on glass.
- Holds 3 lens accessories.
- PAR36 version has fixed aiming only.
- Pour Collar option available.
- Suitable for drive-over installations.
- 6 feet of 12/2 low voltage cable supplied or 1/2" npsf (2x).
- Listed for wet location use.
- Remote transformer required.
- Warranty: 25 Years.



## Specifications:

MODEL:	IN - 6	LAMPING:	MR16 Halogen, 35W Maximum (order separately) 18.5W LED PAR36 (order separately) 8W LED MR16 (order separately)
MATERIAL:	Cast Bronze		
VOLTAGE:	12V		
WATTAGE:	35 Watt		
SOCKET:	GY-6.35 Bi-pin porcelain socket rated 600V, 250°C 18 ga, Teflon® coated leads.		

## Ordering Logic:

MODEL	METAL	LAMP	ACCESSORY	POUR COLLAR	WIRE ENTRY	FINISH	
IN - 6	B - Bronze	1 - MR16 2 - PAR36	0 - None AH - Accessory Holder	0 - None PC - Pour Collar	1 - 6 ft 12/2 Cable 2 - Single Conduit 3 - Dual Conduit	BK - Black BZ - Bronze WT - White BG - Beige NT - Natural	BKT - Black Texture BZT - Bronze Texture SL - Silver DB - Dark Bronze AC - Aged Copper

ORDERING EXAMPLE: IN - 6 - B - 1 - 0 - PC - 1 - BK

Excelsior Lighting, Inc.

PROJECT

TYPE