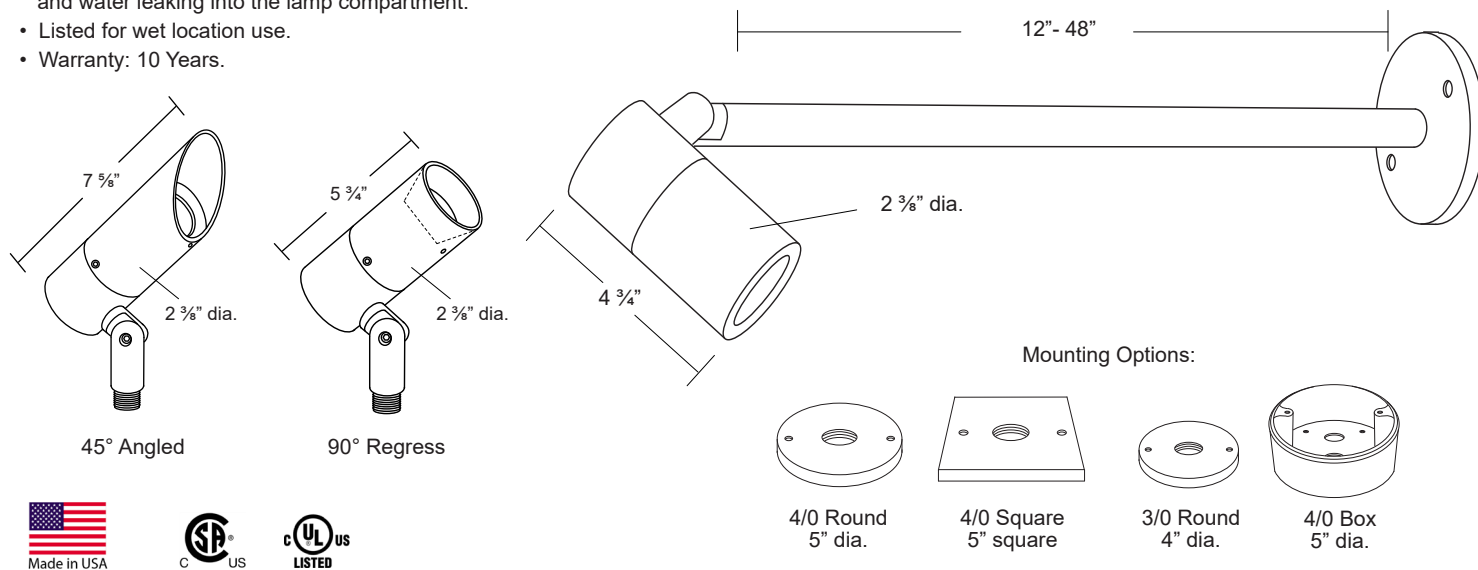


Specification-grade wet-location luminaire for sign lighting applications.

- Machined 6061-T6 copper-free aluminum. Aluminum components are black anodized, then a polyester powder coat finish is applied.
- Seven standard TGIC powder coat finishes and clear anodized finish available.
- Stainless steel hardware.
- Remote transformer required.
- Flush cap for wide distribution holds 3 lens accessories.
- Tempered clear glass glued in.
- Available lengths: 12", 18", 24", 30", 36", 42" or 48"
- High-temperature silicone O-ring seal used to seal the cap against the body.
- Molded silicone wire pass-thru attached to socket wire prevents wicking and water leaking into the lamp compartment.
- Listed for wet location use.
- Warranty: 10 Years.



Specifications

MODEL: SI-1

MATERIAL: 6061-T6 Aluminum

VOLTAGE: 12V

WATTAGE: 50 watt, 10 watt LED

SOCKET: GY 6.35 Bi-pin porcelain socket rated 600V, 250°C 18 ga, Teflon® coated leads.

LAMPING: MR16 Halogen,
50W Maximum (order separately)
8W LED (order separately)

Ordering Logic:

MODEL	METAL	CAP	MOUNTINGS	STEM LENGTH	FINISH
SI - 1	A - Aluminum	1 - Flush 2 - Regress 3 - 45 Degree	1 - 4/0 Round 2 - 4/0 Square 3 - 3/0 Round 4 - 4/0 Box	12 - 12" 36 - 36" 18 - 18" 42 - 42" 24 - 24" 48 - 48" 30 - 30"	BK - Black BKT - Black Texture BZ - Bronze BZT - Bronze Texture WT - White SL - Silver BG - Beige AC - Aged Copper

ORDERING EXAMPLE: SI - 1 - A - 1 - 1 - 24 - BK

Excelsior Lighting, Inc.

PROJECT

TYPE