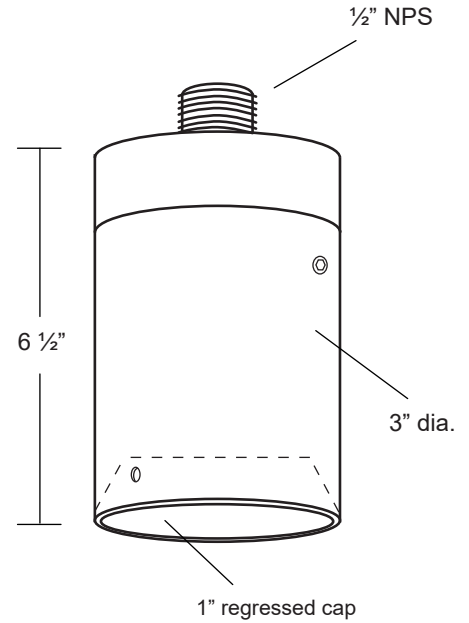


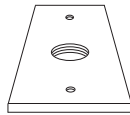
Specification-grade landscape lighting, wet-location luminaire for up lighting or down lighting applications. Can be utilized for ground mounted or surface mounted installations.

- Machined 6061-T6 copper-free aluminum. Aluminum components are black anodized, then a polyester powder coat finish is applied.
- Seven standard TGIC powder coat finishes and clear anodized finish available.
- Stainless steel hardware.
- 10" 18ga. Teflon coated wire leads.
- Medium base ceramic socket
- 1" regressed lens cap holds 1 lens accessory.
- Mount not included.
- Clear tempered glass lens, glued in.
- High-temperature silicone O-ring seal used to seal the cap against the body.
- Listed for wet location use.
- Warranty: 10 Years.



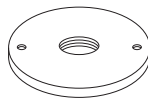
Mounting Plate Options:

Single Gang



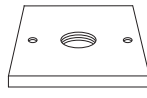
MT-24

4/0 Round



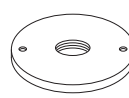
MT-25

4/0 Square



MT-26

3/0 Round



MT-27



Specifications

MODEL: DL - 29

MATERIAL: 6061-T6 Aluminum

VOLTAGE: 120VAC

WATTAGE: 50 Watt

SOCKET: Medium base ceramic socket rated 600V, 250°C
18 ga, Teflon® coated leads.

LAMPING: PAR20 Halogen,
50W Maximum (order separately)
11W LED (order separately)

Ordering Logic:

MODEL	METAL	MOUNTING PLATE	STEM LENGTH	FINISH	
DL - 29	A - Aluminum	1 - MT-24	0 - None 9 - 9"	BK - Black	BKT - Black Texture
		2 - MT-25	3 - 3" 12 - 12"	BZ - Bronze	BZT - Bronze Texture
		3 - MT-26	6 - 6" 18 - 18"	WT - White	SL - Silver
		4 - MT-27		BG - Beige	AC - Aged Copper

ORDERING EXAMPLE: DL - 29 - A - 1 - 0 - BK

Excelsior Lighting, Inc.

PROJECT:

TYPE: