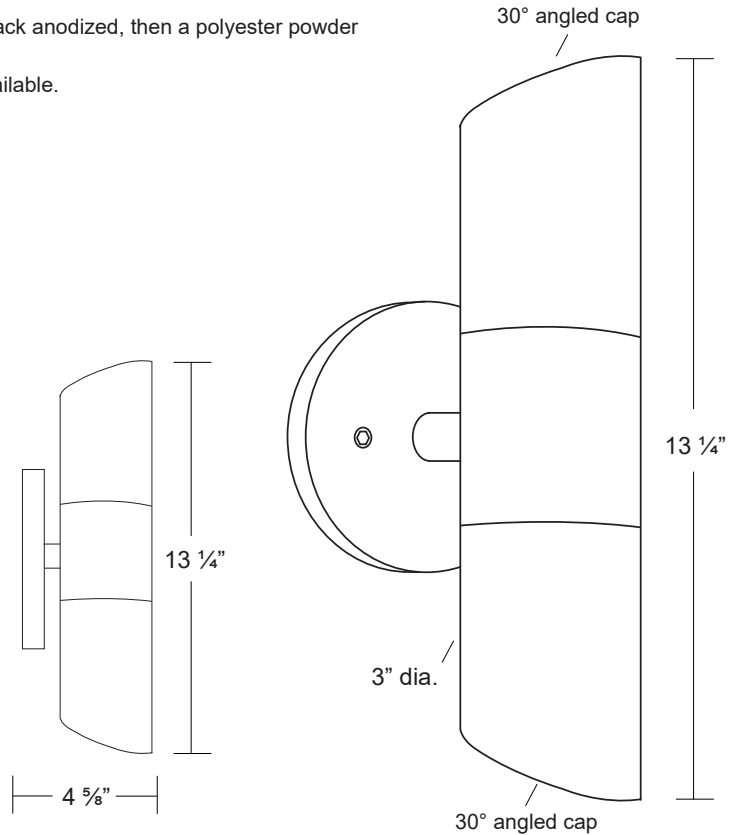
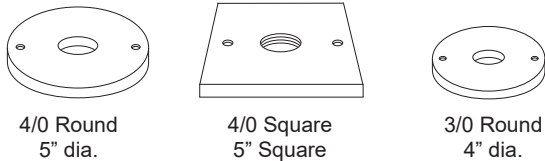


Specification-grade wet-location luminaire for wall mount applications.

- Machined 6061-T6 copper-free aluminum. Aluminum components are black anodized, then a polyester powder coat finish is applied.
- Seven standard TGIC powder coat finishes and clear anodized finish available.
- Stainless steel hardware.
- Junction box mount design.
- 10" 18ga. Teflon coated wire leads.
- 30° Angled lens cap holds 2 lens accessories.
- Three mounting plate options.
- Clear tempered glass lens, glued in.
- High-temperature silicone O-ring seal used to seal the cap against the body.
- Listed for wet location use.
- Warranty: 10 Years.

Mounting Plate Options:



Specifications

MODEL: WA - 40
 MATERIAL: 6061-T6 Aluminum
 VOLTAGE: 120V
 WATTAGE: 50 Watt (X2)
 SOCKET: GU 10 porcelain socket rated 600V, 250°C
 18 ga, Teflon® coated leads.

LAMPING: MR16 Halogen,
 50W Maximum (X2)(order separately)
 8W LED (X2)(order separately)

Ordering Logic:

MODEL	METAL	MOUNTING PLATE		FINISH	
WA - 40	A - Aluminum	1 - 4/0 Round 3 - 3/0 Round	2 - 4/0 Square	BK - Black BZ - Bronze WT - White BG - Beige	BKT - Black Texture BZT - Bronze Texture SL - Silver AC - Aged Copper

ORDERING EXAMPLE: WA - 40 - A - 1 - BK

Excelsior Lighting, Inc.

PROJECT:

TYPE: