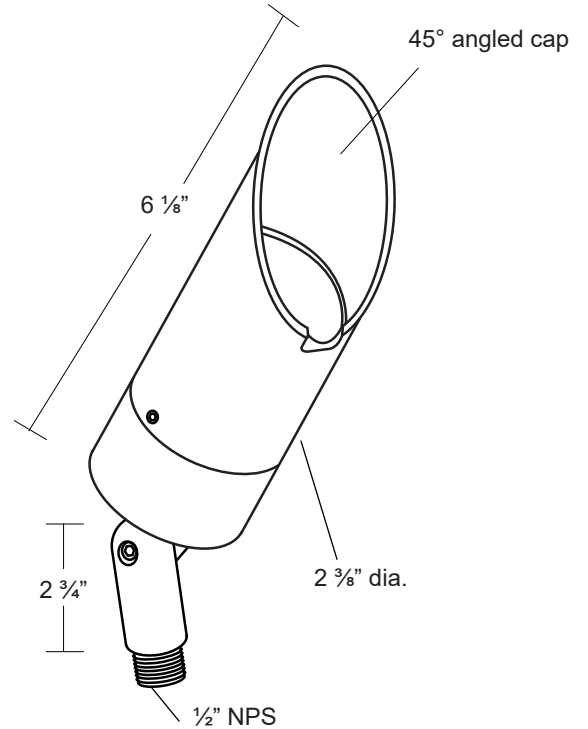


Specification-grade landscape lighting, wet-location luminaire for uplighting or downlighting applications. Can be utilized for ground mounted, tree mounted or surface mounted installations.

- Machined 6061-T6 copper-free aluminum. Aluminum components are black anodized, then a polyester powder coat finish is applied.
- Seven standard TGIC powder coat finishes and clear anodized finish available.
- Remote transformer required.
- Stainless steel hardware.
- 2ft. 18/2 LV wire leads.
- 45° angled lens cap for glare control holds 3 lens accessories.
- "Self-Cleaning" cap style provides for debris to be washed away
- Clear tempered glass lens, glued in.
- High-temperature silicone O-ring seal used to seal the cap against the body.
- Molded silicone wire pass-thru attached to socket wire prevents wicking and water leaking into the lamp compartment.
- Listed for wet location use.
- Warranty: 10 Years.



Specifications

| | | | |
|-----------|---|----------|--|
| MODEL: | FA - 14 | LAMPING: | MR16 Halogen (order separately) 50W Maximum (order separately) 8W LED (order separately) |
| MATERIAL: | 6061-T6 Aluminum | | |
| VOLTAGE: | 12V | | |
| WATTAGE: | 50 Watt | | |
| SOCKET: | GY-6.35 Bi-pin porcelain socket rated 600V, 250°C 18 ga, Teflon® coated leads. | | |

Ordering Logic:

| MODEL | METAL | FINISH | |
|---------|--------------|---|---|
| FA - 14 | A - Aluminum | BK - Black BZ - Bronze WT - White BG - Beige NT - Natural | BKT - Black Texture BZT - Bronze Texture SL - Silver DB - Dark Brass AC - Aged Copper |

ORDERING EXAMPLE: FA - 14 - A - BK

Excelsior Lighting, Inc.

PROJECT

TYPE