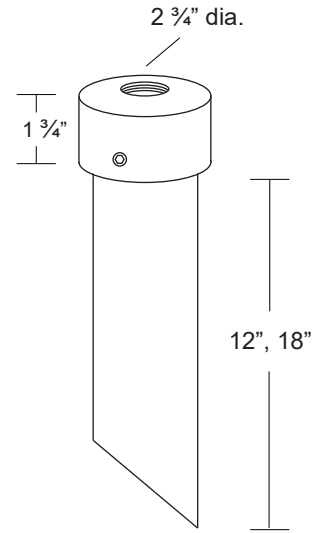


Machined aluminum cap with PVC stake for ground-mounting low voltage luminaires.

- Machined aluminum or machined brass cap.
- Seven standard TGIC powder coat finishes and clear anodized finish available.
- 1/2" NPS threaded hole accepts industry standard luminaires.
- Single stainless steel locking screw used to lock cap to PVC stake.
- PVC stake lengths: 12" or 18".
- CSA listed for wet location landscape use (UL1838).
- Warranty: 10 years.



Specifications

MODEL: MT-1
 MATERIAL: Machined Aluminum or Machined Brass
 MOUNTING: 1/2" NPS

Ordering Logic:

MODEL	METAL	STAKE LENGTH	CAP FINISH	
MT - 1	A - Aluminum B - Brass	12 - 12" 18 - 18"	BK - Black BZ - Bronze WT - White BG - Beige NT - Natural	BKT - Black Texture BZT - Bronze Texture SL - Silver AC - Aged Copper DB - Dark Bronze

ORDERING EXAMPLE: MT - 1 - A - 12 - BZ

Excelsior Lighting, Inc.

PROJECT

TYPE