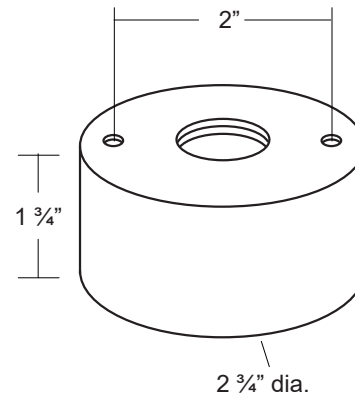


Surface mount canopy with threaded mount hole. Utilized for surface mount installations.

- Machined aluminum construction.
- Seven standard TGIC powder coat finishes and clear anodized finish available.
- Mounting hardware not supplied
- 1/2" NPS mount thread accept industry standard luminaires.
- Has two 3/16" screw mount holes.
- CSA listed for wet location landscape use (UL1838).
- Warranty: 10 Years.



### Specifications

MODEL: MT-17  
 MATERIAL: Machined Aluminum  
 MOUNTING: 1/2" NPS threaded canopy

### Ordering Logic:

MODEL	METAL	FINISH	
MT - 17	A - Aluminum	BK- Black BZ - Bronze WT - White BG - Beige	BKT - Black Texture BZT- Bronze Texture SL - Silver AC - Aged Copper

ORDERING EXAMPLE: MT - 17 - A - BK

Excelsior Lighting, Inc.

PROJECT

TYPE