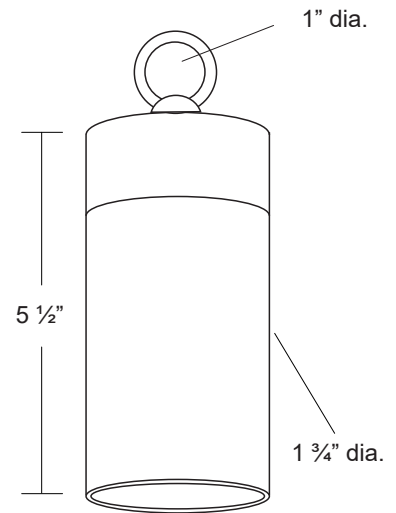


Specification-grade landscape lighting, wet-location luminaire for down lighting applications. Can be utilized for pergola or tree-mounted installations

- Machined 6061-T6 copper-free aluminum. Aluminum components are black anodized, then a polyester powder coat finish is applied.
- Seven standard TGIC powder coat finishes and clear anodized finish available.
- Remote transformer required.
- SS Cable and lead wire options.
- Stainless steel hardware.
- 1" brass loop for mounting. Hanging hook included.
- 12" 18 ga. shrink tube covered, black wire leads.
- Cap holds 2 lens accessories.
- Clear tempered glass lens, glued in.
- High-temperature silicone O-ring seal used to seal the cap against the body.
- Molded silicone wire pass-thru attached to socket wire prevents wicking and water leaking into the lamp compartment.
- Listed for wet location use.
- Warranty: 10 Years.



Specifications

MODEL:	RL - 3	LAMPING:	MR11 Halogen (order separately) 20W Maximum (order separately) 3W LED (order separately)
MATERIAL:	6061-T6 Aluminum		
VOLTAGE:	12V		
WATTAGE:	20 Watt		
SOCKET:	GY 6.35 Bi-pin porcelain socket rated 600V, 250°C 18 ga, Teflon® coated leads.		

Ordering Logic:

MODEL	METAL	SS CABLE	1/2 WIRE	FINISH	
RL - 3	A - Aluminum	0 - None	0 - None	BK - Black	BKT - Black Texture
		5 - 5 ft	5 - 5 ft	BZ - Bronze	BZT - Bronze Texture
		10 - 10 ft	10 - 10 ft	WT - White	SL - Silver
		15 - 15 ft	15 - 15 ft	BG - Beige	AC - Aged Copper
		20 - 20 ft	20 - 20 ft		
		25 - 25 ft	25 - 25 ft		
		30 - 30 ft	30 - 30 ft		

ORDERING EXAMPLE: RL - 3 - A - 0 - 0 - BK

Excelsior Lighting, Inc.

PROJECT

TYPE