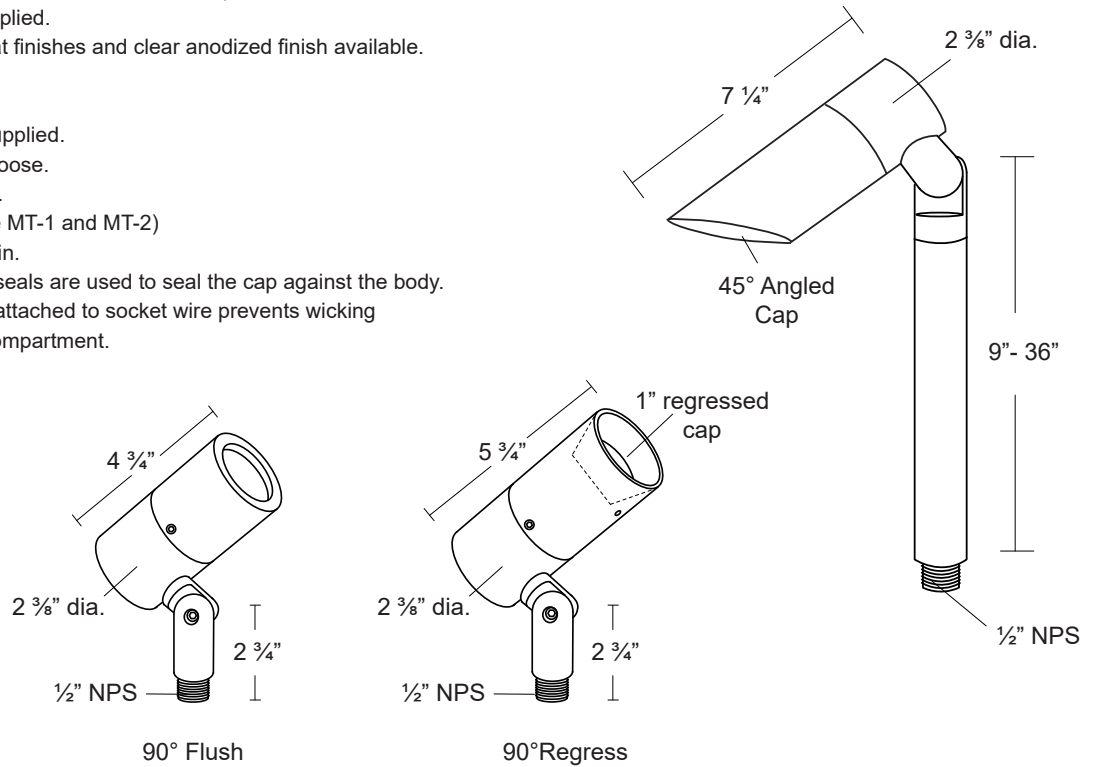


Specification-grade landscape lighting, wet-location luminaire for path or garden lighting applications.

- Machined 6061-T6 copper-free aluminum. Aluminum components are black anodized, then a polyester powder coat finish is applied.
- Seven standard TGIC powder coat finishes and clear anodized finish available.
- Remote transformer required.
- Stainless steel hardware.
- 6 feet of 18/2 low voltage cable supplied.
- Three cap styles from which to choose.
- Stems lengths of 9"- 36" available.
- Adjustable or fixed mounting. (see MT-1 and MT-2)
- Clear tempered glass lens, glued in.
- High-temperature silicone O-ring seals are used to seal the cap against the body.
- Molded silicone wire pass-thru is attached to socket wire prevents wicking and water leaking into the lamp compartment.
- Listed for wet location use.
- Warranty: 10 Years.



Specifications:

MODEL:	PL-7	LAMPING:	MR16 Halogen 50W Maximun (order separately) 8W LED (order separately)
MATERIAL:	6061-T6 Aluminum		
VOLTAGE:	12V		
WATTAGE:	50 Watt		
SOCKET:	GY-6.35 Bi-pin porcelain socket rated 600V, 250°C 18 ga, Teflon® coated leads.		

Ordering Logic:

MODEL	METAL	CAP	STEM LENGTH		FINISH	
PL - 7	A - Aluminum	1 - Flush	9 - 9"	24 - 24"	BK - Black	BKT - Black Texture
		2 - Regress	12 - 12"	30 - 30"	BZ - Bronze	BZT - Bronze Texture
		3 - 45 Degree	18 - 18"	36 - 36"	WT - White	SL - Silver
					BG - Beige	AC - Aged Copper

ORDERING EXAMPLE: PL - 7 - A - 1 - 12 - BZT

Excelsior Lighting, Inc.

PROJECT

TYPE