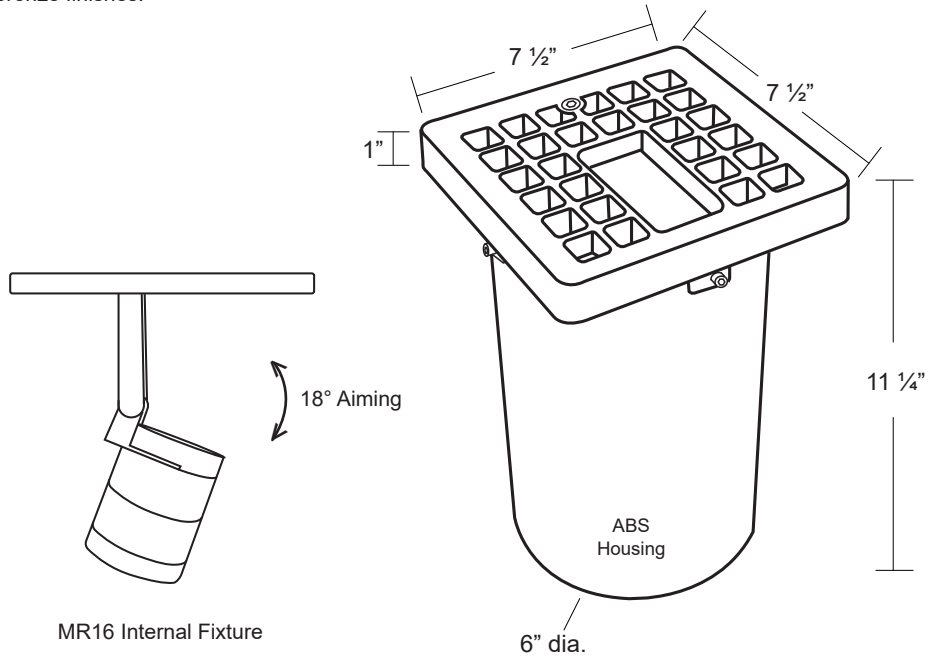


IN-GROUND WELL LIGHT 12V MR16 35W 8W LED MODEL IN-5

Specification-grade direct burial landscape lighting, wet-location luminaire for up lighting applications.

- Cast bronze frame and grate.
- Seven standard TGIC powder coat finishes and two bronze finishes.
- Remote transformer required.
- GY 6.35 bi pin porcelain socket.
- Hot-aiming option available.
- IP 68 rated.
- 18 degrees of aiming adjustment.
- Machined aluminum lamp holder.
- ABS housing: 6" dia. x 10 1/2" OAL.
- Tempered glass lens.
- Holds 3 lens accessories.
- Suitable for drive-over installations.
- 6 feet of 16/2 low voltage cable supplied.
- Listed for wet location use.
- Warranty: 25 Years.



Specifications:

MODEL:	IN - 5	LAMPING:	MR16 Halogen, 35W Maximum (order separately) 8W LED (order separately)
MATERIAL:	Cast Bronze		
VOLTAGE:	12V		
WATTAGE:	35 Watt		
SOCKET:	GY-6.35 Bi-pin porcelain socket rated 600V, 250°C 18 ga, Teflon® coated leads.		

Ordering Logic:

MODEL	METAL	AIMING	FIXTURE REGRESS	FINISH	
			<small>*Standard Aiming only</small>		
IN - 5	B - Bronze	S - Standard H - Hot Aim	1 - 1 3/4" 2 - 3" (standard) 3 - 4 1/4" (hot-aim)	BK- Black BZ - Bronze WT - White BG - Beige NT - Natural	BKT - Black Texture BZT - Bronze Texture SL - Silver DB - Dark Bronze AC - Aged Copper

ORDERING EXAMPLE: IN - 5 - B - H - 1 - BK

Excelsior Lighting, Inc.

PROJECT

TYPE