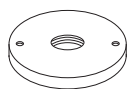


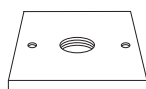
Specification-grade wet-location luminaire for sign lighting applications.

- Machined 6061-T6 copper-free aluminum. Aluminum components are black anodized, then a polyester powder coat finish is applied.
- Seven standard TGIC powder coat finishes and clear anodized finish available.
- Remote transformer required.
- Specify MT-44 model for this product. See spec sheet for product details.
- Stainless steel hardware.
- Flush lens cap holds 3 lens accessories
- Tempered clear glass glued in.
- Available stem lengths: 12", 18", 24", 30", 36", 42" or 48"
- High-temperature silicone O-ring seal used to seal the cap against the body.
- Molded silicone wire pass-thru attached to socket wire prevents wicking and water leaking into the lamp compartment.
- Listed for wet location use.
- Warranty: 10 Years.

Mounting Plate Options:



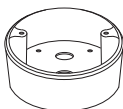
4/0 Round
5" dia.



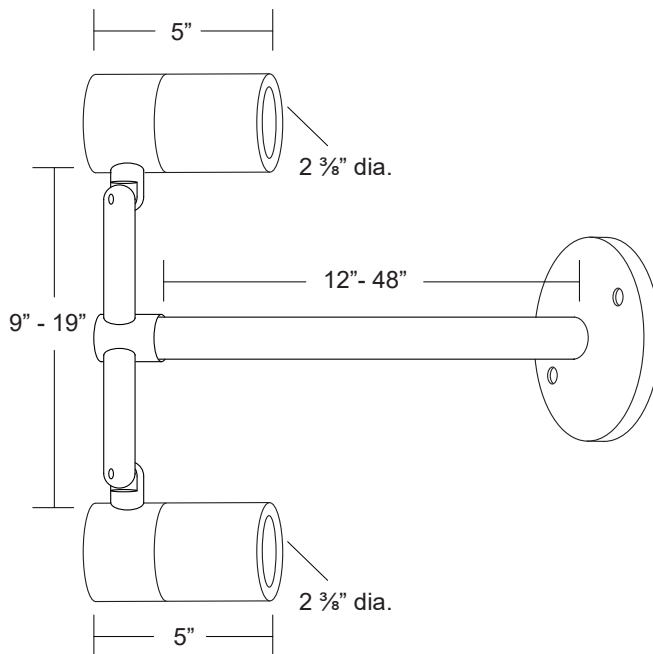
4/0 Square
5" square



3/0 Round
4" dia.



4/0 Surface
Mount Box
5" dia.



Specifications

MODEL: SI-15
 MATERIAL: 6061-T6 Aluminum
 VOLTAGE: 12V
 WATTAGE: 50 watt, 8 watt LED (dual)
 SOCKET: GY 6.35 Bi-pin porcelain socket rated 600V, 250°C 18 ga, Teflon® coated leads.

LAMPING: MR16 Halogen (order separately)
 50W Maximum (order separately)
 8W LED (order separately)

Ordering Logic:

MODEL	METAL	MOUNTING PLATE	FIXTURE SPACING		STEM LENGTH		FINISH	
SI - 15	A - Aluminum	1 - 4/0 Round	9 - 9"	13 - 13"	12 - 12"	36 - 36"	BK - Black	BKT - Black Texture
		2 - 4/0 Square	11 - 11"	19 - 19"	18 - 18"	42 - 42"	BZ - Bronze	BZT - Bronze Texture
		3 - 3/0 Round			24 - 24"	48 - 48"	WT - White	SL - Silver
		4 - 4/0 Surface Mount Box w/ Cover			30 - 30"		BG - Beige	AC - Aged Copper

ORDERING EXAMPLE: SI - 15 - A - 1 - 9 - 24 - BK-

Excelsior Lighting, Inc.

PROJECT

TYPE