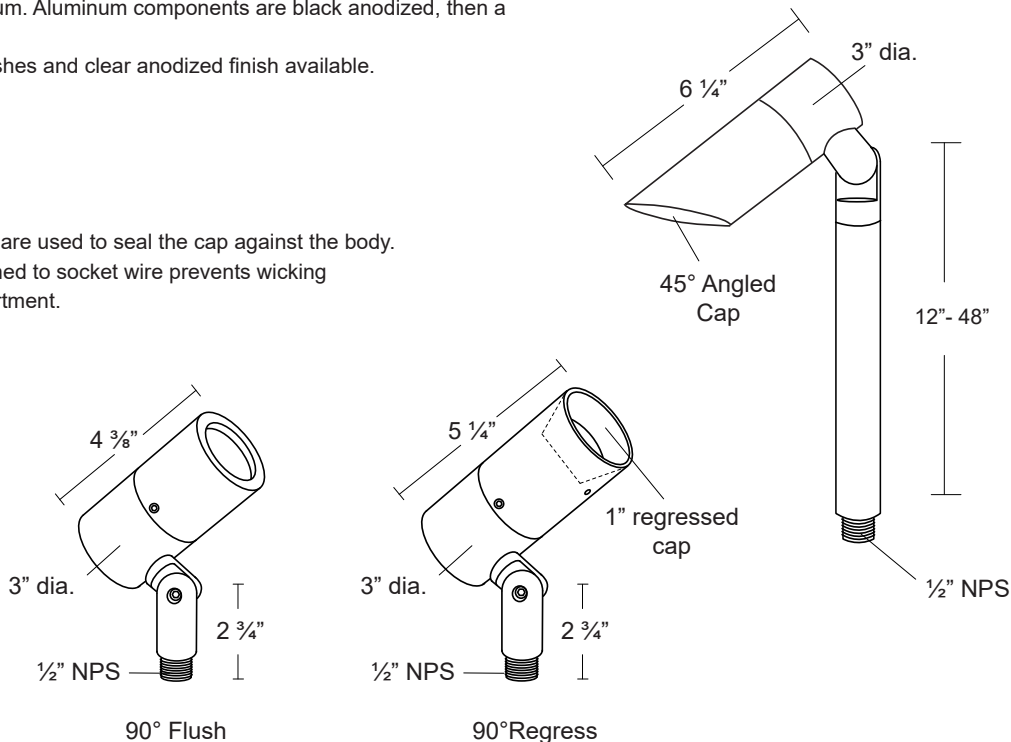


Specification-grade landscape lighting, wet-location luminaire for path or garden lighting applications.

- Machined 6061-T6 copper-free aluminum. Aluminum components are black anodized, then a polyester powder coat finish is applied.
- Seven standard TGIC powder coat finishes and clear anodized finish available.
- Stainless steel hardware.
- Conduit mounting stake included
- Three cap styles from which to choose.
- Stems lengths of 12"- 48" available.
- Clear tempered glass lens, glued in.
- High-temperature silicone O-ring seals are used to seal the cap against the body.
- Molded silicone wire pass-thru is attached to socket wire prevents wicking and water leaking into the lamp compartment.
- Listed for wet location use.
- Warranty: 10 Years.

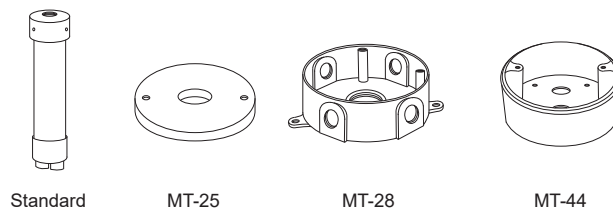


### Specifications

MODEL: PL - 28  
 MATERIAL: 6061-T6 Aluminum  
 VOLTAGE: 120V  
 WATTAGE: 50 Watt  
 SOCKET: Medium base ceramic socket rated 600V, 250°C 18 ga, Teflon® coated leads.

LAMPING: PAR20 Halogen, 50W Maximum (order separately)  
 11W LED (order separately)

Other Mount Options:



### Ordering Logic:

MODEL	METAL	CAP	MOUNTINGS	STEM LENGTH	FINISH		
PL - 28	A - Aluminum	1 - Flush	1 - Conduit Stake(Incl)	12 - 12"	36 - 36"	BK - Black	BKT - Black Texture
		2 - Regress	2 - MT-25	18 - 18"	42 - 42"	BZ - Bronze	BZT - Bronze Texture
		3 - 45 Degree	3 - MT-28	24 - 24"	48 - 48"	WT - White	SL - Silver
			4 - MT-44	30 - 30"		BG - Beige	AC - Aged Copper

ORDERING EXAMPLE: PL - 28 - A - 1 - 1 - 24 - BK

Excelsior Lighting, Inc.

PROJECT

TYPE