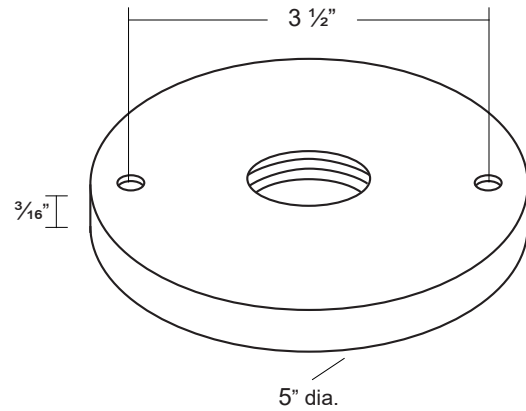


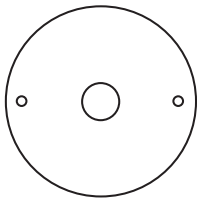
4/0 round junction box cover with two screw mount holes. Utilized for junction mount installations.

- Machined aluminum construction.
- Seven standard TGIC powder coat finishes and clear anodized finish available.
- Mounting hardware and gasket included.
- 1/2" NPS mount thread.
- Single and dual styles available.
- Warranty: 10 Years.

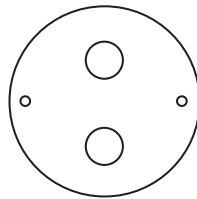


Specifications

MODEL: MT-25  
 MATERIAL: Machined Aluminum  
 MOUNTING: 1/2" NPS for single mount  
 7/8" slip holes for dual mount



Single Mount



Dual Mount

Ordering Logic:

MODEL	METAL	STYLE	FINISH	
MT - 25	A - Aluminum	S - Single D - Double	BK- Black BZ - Bronze WT - White BG - Beige	BKT - Black Texture BZT- Bronze Texture SL - Silver AC - Aged Copper

ORDERING EXAMPLE: MT - 25 - A - S - BK

Excelsior Lighting, Inc.

PROJECT

TYPE