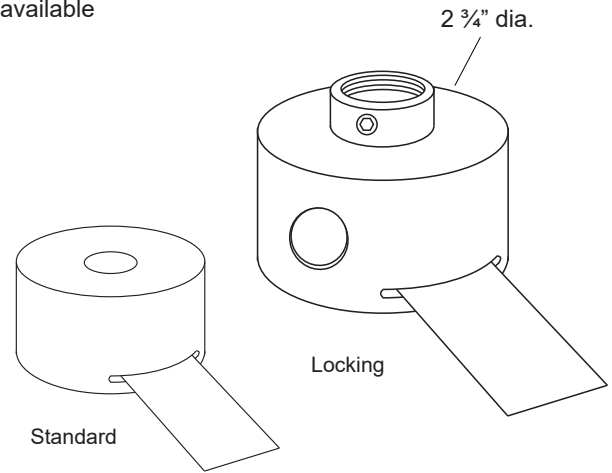


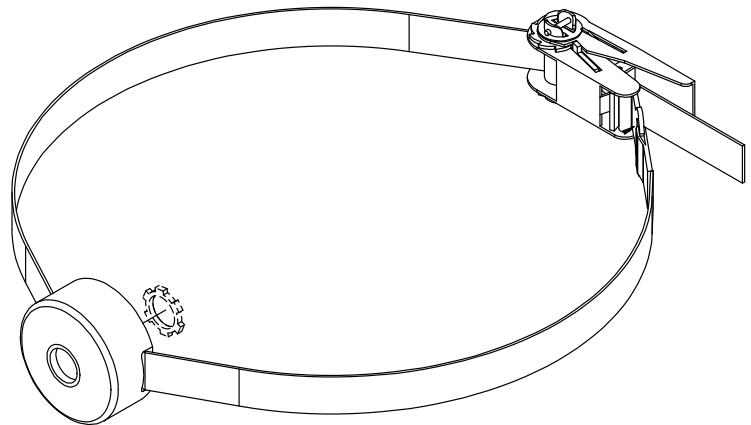
Heavy-duty tree mounting canopy with stainless steel ratchet and nylon strap to fit trees up to 36" in diameter. Can be utilized for tree or post mount installations.

- Tree strap mount and canopy.
- Two canopy styles: standard and locking.
- Aluminum canopy, stainless steel ratchet powder coated bronze texture.
- Seven standard TGIC powder coat finishes and clear anodized finish available for canopy.
- 1/2" NPS threaded canopies accept industry standard luminaires.
- 5/8" wiring hole.
- Strap lengths available 48", 72" or 120".
- 1" wide nylon strap.
- Warranty: 10 Years.



Specifications

MODEL: MT-14
 MATERIAL: 6061-T6 Aluminum
 MOUNTING: 1/2" NPS threaded canopy
 WIRING HOLE: 5/8" diameter



Ordering Logic:

MODEL	METAL	TYPE	CANOPIES	STRAP LENGTH	FINISH
MT - 14	A - Aluminum	S - Standard	1 - One	48 - 48"	BK- Black BKT - Black Texture
		L - Locking	2 - Two	72 - 72"	BZ - Bronze BZT- Bronze Texture
			3 - Three	120 - 120"	WT - White SL - Silver
					BG - Beige AC - Aged Copper

ORDERING EXAMPLE: MT - 14 - A - L - 1 - 48 - BK

Excelsior Lighting, Inc.

PROJECT

TYPE