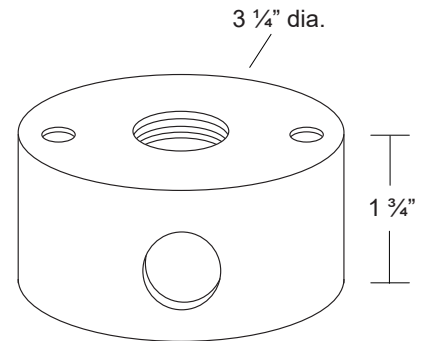


Machined aluminum tree mount canopy.

- Tree mount canopy.
- Machined aluminum construction.
- Seven standard TGIC powder coat finishes and clear anodized finish available.
- Mounting hardware not supplied
- 5/8" wiring hole.
- Two 1/4" mounting holes.
- 1/2" NPS mount threads accept industry standard luminaires.
- Warranty: 10 Years.



### Specifications

MODEL: MT-35  
 MATERIAL: Machined Aluminum  
 MOUNTING: 1/2" NPS threaded canopy

### Ordering Logic:

MODEL	METAL	FINISH	
MT - 35	A - Aluminum	BK- Black BZ - Bronze WT - White BG - Beige	BKT - Black Texture BZT- Bronze Texture SL - Silver AC - Aged Copper

ORDERING EXAMPLE: MT - 35 - A - BK

Excelsior Lighting, Inc.

PROJECT

TYPE