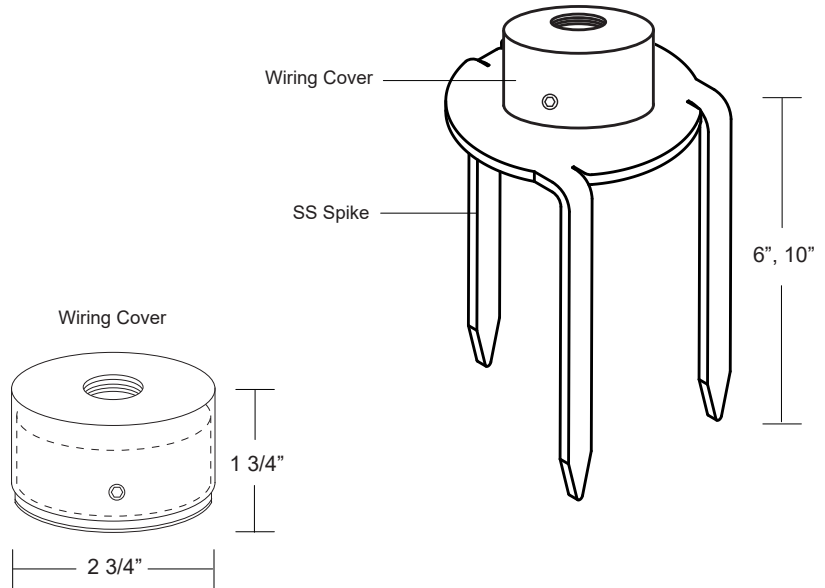


Heavy-duty stainless steel ground spike with wiring compartment for ground-mounting low voltage luminaires.

- Stainless steel ground spike.
- Seven standard TGIC powder coat finishes and clear anodized finish available.
- 3/16" thick, 304 grade stainless steel.
- Laser cut design for strength.
- Mounting cup and cap for connections.
- 1/2" NPS mount threads.
- Single set screw for quick installation.
- Spike lengths available in 6" or 10" sizes.
- Bronze powder coat finish on stake.
- Warranty: 10 years.



Specifications

MODEL: MT - 7

MOUNT STAKE: 304 Stainless Steel

CAP MATERIAL: 6061-T6 Aluminum

MOUNTING: 1/2" NPS

Ordering Logic:

MODEL	SPIKE LENGTH	FINISH (cap)	
MT - 7	6 - 6 "    10 - 10"	BK - Black	BKT - Black Texture
		BZ - Bronze	BZT - Bronze Texture
		WT - White	SL - Silver
		BG - Beige	AC - Aged Copper

ORDERING EXAMPLE: MT - 7 - 6 - BK

Excelsior Lighting, Inc.

PROJECT

TYPE