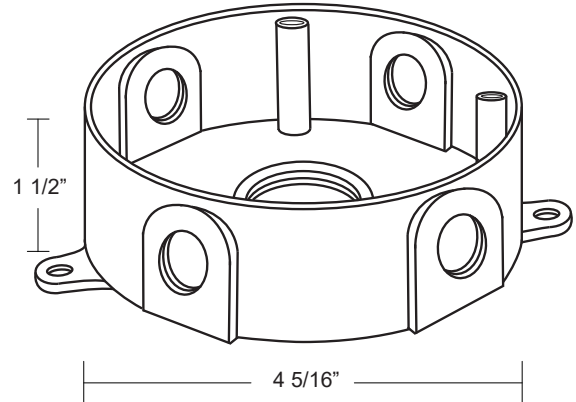


Round cast junction box. Utilized for junction mount installations.

- Cast aluminum construction.
- Seven standard TGIC powder coat finishes and clear anodized finish available.
- Five 1/2" NPS conduit entries, accepts industry standard luminaires.
- Tabs for mounting to surface.
- Warranty: 10 Years.



Specifications

MODEL: MT-28
 MATERIAL: Cast Aluminum
 MOUNTING: 1/2" NPS mount threads (5)

Ordering Logic:

MODEL	FINISH	
MT - 28	BK- Black	BKT - Black Texture
	BZ - Bronze	BZT- Bronze Texture
	WT - White	SL - Silver
	BG - Beige	AC - Aged Copper

ORDERING EXAMPLE: MT - 28 - BK

Excelsior Lighting, Inc.

PROJECT

TYPE