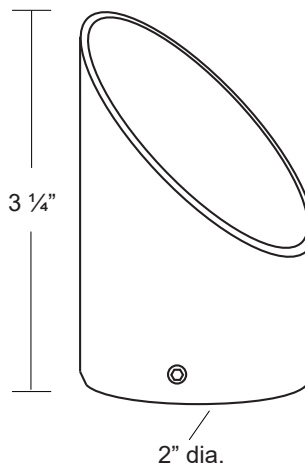


Machined aluminum glare shield designed to provide adjustable cutoff for glare control.

- Machined aluminum.
- Seven standard TGIC powder coat finishes and clear anodized finish available.
- Provides 360° of water drainage
- Fits 1 3/4" diameter luminaires.
- Warranty: 10 years.



Specifications

MODEL: AY-10

Ordering Logic:

MODEL	METAL	FINISH	
AY - 10	A - Aluminum	BK - Black	BKT - Black Texture
		BZ - Bronze	BZT - Bronze Texture
		WT - White	SL - Silver
		BG - Beige	AC - Aged Copper

ORDERING EXAMPLE: AY - 10 - A - BK

Excelsior Lighting, Inc.

PROJECT

TYPE