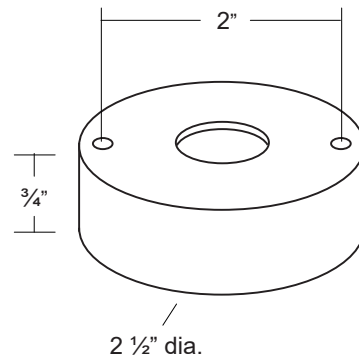


Small surface mount canopy with two screw mount holes. Utilized for surface mount installations.

- Machined aluminum construction.
- Seven standard TGIC powder coat finishes and clear anodized finish available.
- Mounting hardware not supplied
- 13/16" slip mount hole
- Has two 3/16" screw mount holes.
- Warranty: 10 Years.



Specifications

MODEL: MT-18
 MATERIAL: Machined Aluminum
 MOUNTING: 13/16" slip hole

Ordering Logic:

MODEL	METAL	FINISH	
MT - 18	A - Aluminum	BK - Black BZ - Bronze WT - White BG - Beige	BKT - Black Texture BZT - Bronze Texture SL - Silver AC - Aged Copper

ORDERING EXAMPLE: MT - 18 - A - BK

Excelsior Lighting, Inc.

PROJECT

TYPE