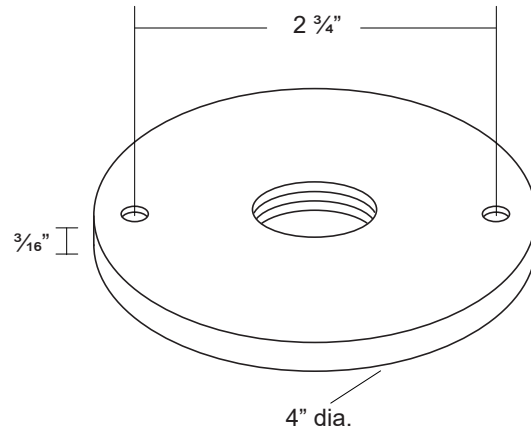


Round junction box cover with two screw mount holes. Utilized for junction mount installations.

- Machined aluminum construction.
- Seven standard TGIC powder coat finishes and clear anodized finish available.
- Mounting hardware and gasket included.
- 1/2" NPS mount thread, accepts industry standard luminaires.
- Warranty: 10 Years.



Specifications

MODEL: MT-27  
 MATERIAL: Machined Aluminum  
 MOUNTING: 1/2" NPS mount threads

Ordering Logic:

MODEL	METAL	FINISH	
MT - 27	A - Aluminum	BK- Black BZ - Bronze WT - White BG - Beige	BKT - Black Texture BZT- Bronze Texture SL - Silver AC - Aged Copper

ORDERING EXAMPLE: MT - 27 - A - BK

Excelsior Lighting, Inc.

PROJECT

TYPE