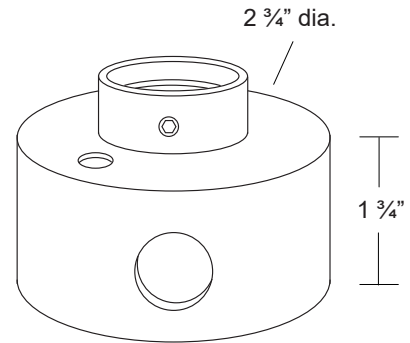


Machined aluminum tree mount canopy with stainless steel hanger bolts.

- Tree mount with hanger bolts.
- Locking set screw for rotational aiming.
- Machined aluminum construction.
- 1/2" NPS mount threads accept industry standard luminaires.
- Mounting hardware not supplied
- 5/8" wiring hole.
- Two 1/4" mounting holes.
- 1/4-20 Stainless steel hanger bolts and nuts included (one set).
- Optional 1/4-20 driver bit available.
- Seven standard TGIC powder coat finishes and clear anodized finish available.
- Warranty: 10 Years.



Specifications

MODEL: MT-39
 MATERIAL: Machined Aluminum
 MOUNTING: 1/2" NPS threaded canopy

Ordering Logic:

MODEL	METAL	HANGER BOLTS		DRIVER	FINISH	
MT - 39	A - Aluminum	4 - 4"	5 - 5"	N - None D - 1/4-20 Driver Bit	BK- Black BZ - Bronze WT - White BG - Beige	BKT - Black Texture BZT- Bronze Texture SL - Silver AC - Aged Copper

ORDERING EXAMPLE: MT - 39 - A - 4 - D - BK

Excelsior Lighting, Inc.

PROJECT

TYPE