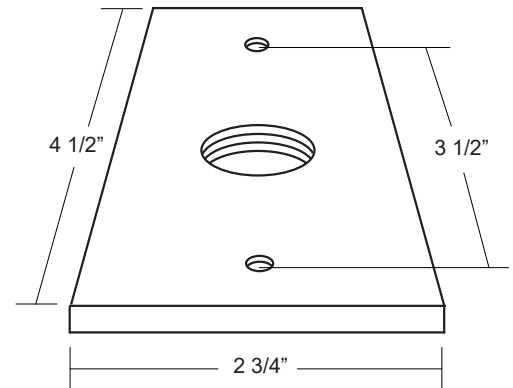


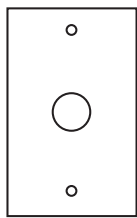
Single gang junction box covers. Dual or single mount style for junction mount installations.

- Machined aluminum construction.
- Seven standard TGIC powder coat finishes and clear anodized finish available.
- Mounting hardware and gasket included.
- Single and dual styles available.
- 1/2" NPS threads
- Warranty: 10 Years.

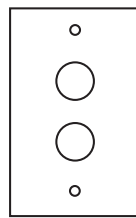


Specifications

MODEL: MT-24
 MATERIAL: Machined Aluminum
 MOUNTING: 1/2" NPS for single mount
 7/8" slip holes for dual mount



Single Mount



Dual Mount

Ordering Logic:

MODEL	METAL	STYLE	FINISH	
MT - 24	A - Aluminum B - Brass	S - Single D - Double	BK- Black BZ - Bronze WT - White BG - Beige NT- Natural	BKT - Black Texture BZT- Bronze Texture SL - Silver AC - Aged Copper DB - Dark Bronze

ORDERING EXAMPLE: MT - 24 - A - S - BK

Excelsior Lighting, Inc.

PROJECT

TYPE