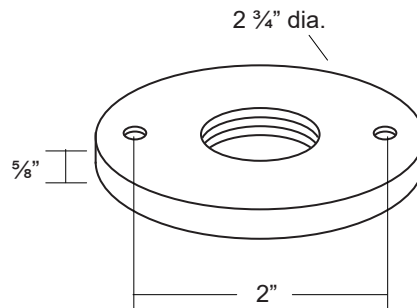


Surface mount canopy with threaded mount hole. Utilized for surface mount installations.

- Machined aluminum construction.
- Seven standard TGIC powder coat finishes and clear anodized finish available.
- Mounting hardware not supplied
- 1/2" NPS mount thread accepts industry standard luminaires.
- Two 3/16" screw mount holes.
- Warranty: 10 Years.



Specifications

MODEL: MT-20
 MATERIAL: Machined Aluminum
 MOUNTING: 1/2" NPS mount threads

Ordering Logic:

| MODEL | METAL | FINISH | |
|---------|--------------|---|--|
| MT - 20 | A - Aluminum | BK - Black BZ - Bronze WT - White BG - Beige | BKT - Black Texture BZT - Bronze Texture SL - Silver AC - Aged Copper |

ORDERING EXAMPLE: MT - 20 - A - BK

Excelsior Lighting, Inc.

PROJECT

TYPE