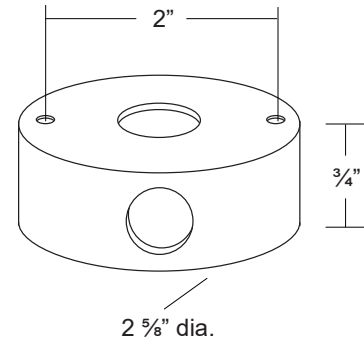


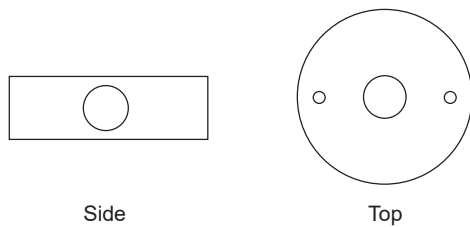
Light-duty tree mounting canopy with wiring hole. Can be utilized for tree or surface mount installations.

- Machined aluminum construction.
- Seven standard TGIC powder coat finishes and clear anodized finish available.
- Mounting hardware not supplied
- 7/8" slip mount hole.
- 5/8" wiring hole.
- Two 3/16" screw mounting holes.
- Warranty: 10 Years.



### Specifications

MODEL: MT-13  
 MATERIAL: 6061-T6 Aluminum  
 MOUNTING: 7/8" Slip hole  
 WIRING HOLE: 5/8" diameter



### Ordering Logic:

MODEL	METAL	FINISH	
MT - 13	A - Aluminum	BK - Black	BKT - Black Texture
		BZ - Bronze	BZT - Bronze Texture
		WT - White	SL - Silver
		BG - Beige	AC - Aged Copper

ORDERING EXAMPLE: MT - 13 - A - BK

Excelsior Lighting, Inc.

PROJECT

TYPE