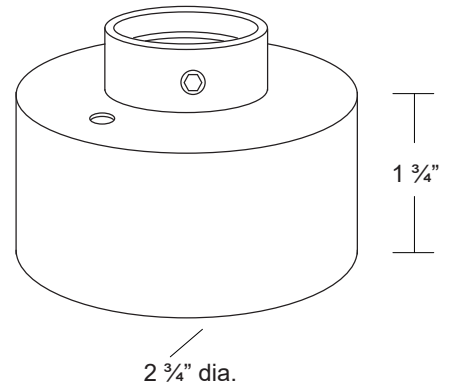


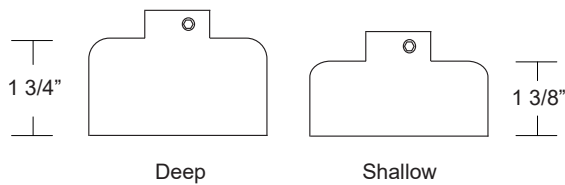
Machined aluminum surface mount. Utilized for surface mount installations.

- Machined aluminum construction.
- Seven standard TGIC powder coat finishes and clear anodized finish available.
- Mounting hardware not supplied
- Locking set screw for rotational aiming.
- Two depths from which to choose.
- 1/2" NPS mount thread accepts industry standard luminaires.
- Two 3/16" screw mount holes.
- Warranty: 10 Years.



Specifications

MODEL: MT-37  
 MATERIAL: Machined Aluminum  
 MOUNTING: 1/2" NPS mount threads



Ordering Logic:

MODEL	METAL	TYPE	FINISH	
MT - 37	A - Aluminum	D - Deep (1 3/4") S - Shallow (1 3/8")	BK- Black BZ - Bronze WT - White BG - Beige	BKT - Black Texture BZT- Bronze Texture SL - Silver AC - Aged Copper

ORDERING EXAMPLE: MT - 37 - A - D - BZ

Excelsior Lighting, Inc.

PROJECT

TYPE