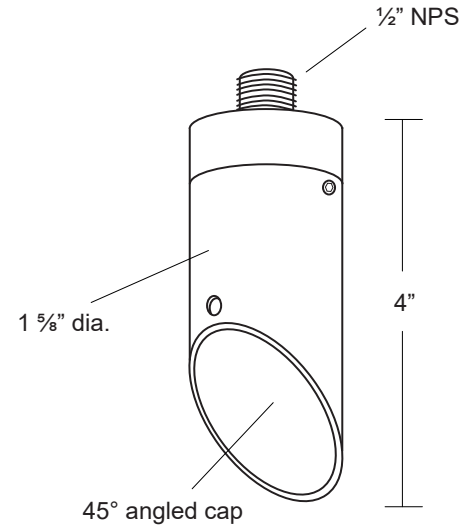
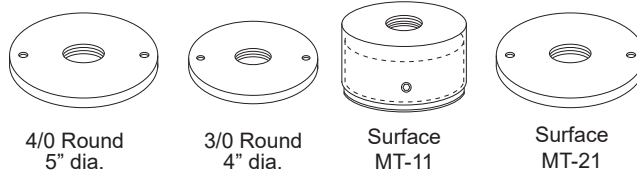


Specification-grade landscape lighting, wet-location luminaire for downlighting applications.

- Machined 6061-T6 copper-free aluminum. Aluminum components are black anodized, then a polyester powder coat finish is applied.
- Seven standard TGIC powder coat finishes and clear anodized finish available.
- Remote transformer required.
- Stainless steel hardware.
- 10" 18ga. Teflon coated wire leads.
- 1/2" NPS Mount Threads (Mount not included).
- Tempered clear glass lens.
- Short 30° angled lens cap holds 1 lens accessory.
- High-temperature silicone O-ring seal used to seal the cap against the body.
- Molded silicone wire pass-thru attached to socket wire prevents wicking and water leaking into the lamp compartment.
- Listed for wet location use.
- Warranty: 10 Years.



Mounting Plate Options:



Specifications:

| | | | |
|-----------|---|----------|--|
| MODEL: | DL-8 | LAMPING: | MR11 Halogen (order separately) 20W Maximum (order separately) 2W LED (order separately) |
| MATERIAL: | 6061-T6 Aluminum | | |
| VOLTAGE: | 12V | | |
| WATTAGE: | 20 Watt | | |
| SOCKET: | GY 6.35 Bi-pin porcelain socket rated 600V, 250°C 18 ga, Teflon® coated leads. | | |

Ordering Logic:

| MODEL | METAL | MOUNTING PLATE | STEM LENGTH | FINISH | |
|--------|--------------|-------------------|-----------------|-------------|----------------------|
| DL - 8 | A - Aluminum | 1 - 4/0 Round | 0 - None 9 - 9" | BK - Black | BKT - Black Texture |
| | | 2 - 3/0 Round | 3 - 3" 12 - 12" | BZ - Bronze | BZT - Bronze Texture |
| | | 3 - Surface MT-11 | 6 - 6" 18 - 18" | WT - White | SL - Silver |
| | | 4 - Surface MT-21 | | BG - Beige | AC - Aged Copper |

ORDERING EXAMPLE: DL - 8 - A - 1 - 0 - BK

Excelsior Lighting, Inc.

PROJECT

TYPE