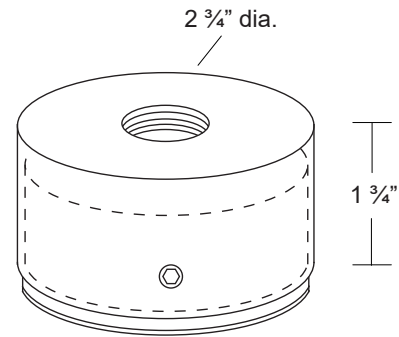


Surface mount canopy & base with optional tree mount kit; hanger bolts.

- Machined surface mount canopy and base.
- Tree mount kit option; hanger bolts and nuts.
- 1/2" NPS mount thread accept industry standard luminaires.
- Two-piece design: cap/base.
- 1/4-20 Stainless steel hanger bolts and nuts (optional).
- Seven polyester powder coat finish on cap. Black anodized base.
- Warranty: 10 Years.



### Specifications

MODEL: MT-11  
 MATERIAL: Machined Aluminum  
 MOUNTING: 1/2" NPS threaded canopy

### Ordering Logic:

MODEL	METAL	HANGER BOLTS		DRIVER	FINISH	
MT - 11	A - Aluminum	0 - None 4 - 4"	3 - 3" 5 - 5"	N - None D - 1/4-20 Driver bit	BK- Black BZ - Bronze WT - White BG - Beige	BKT - Black Texture BZT- Bronze Texture SL - Silver AC - Aged Copper

ORDERING EXAMPLE: MT - 11 - A - 3 - D - BK

**Excelsior Lighting, Inc.**

PROJECT

TYPE