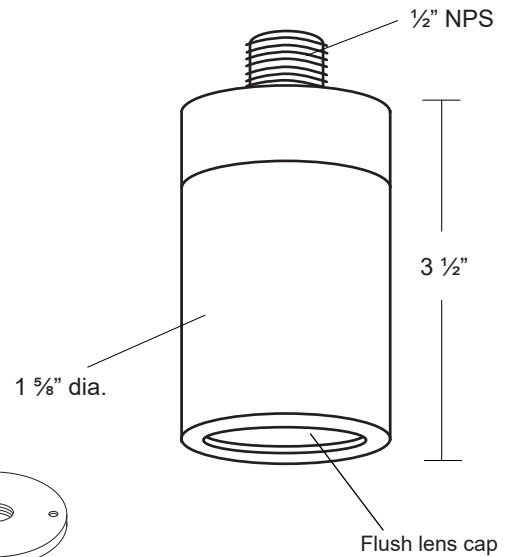
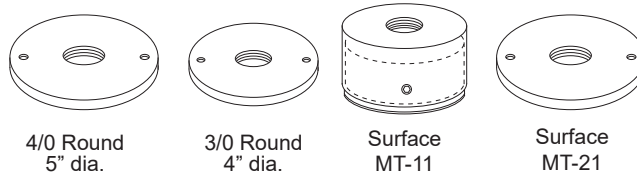


Specification-grade landscape lighting, wet-location luminaire for downlighting applications.

- Machined 6061-T6 copper-free aluminum. Aluminum components are black anodized, then a polyester powder coat finish is applied.
- Seven standard TGIC powder coat finishes and clear anodized finish available.
- Remote transformer required.
- Stainless steel hardware.
- 10" 18ga. Teflon coated wire leads.
- 1/2" NPS Mount Threads (Mount not included).
- Tempered clear glass lens.
- Long flush lens cap holds 1 lens accessory.
- High-temperature silicone O-ring seal used to seal the cap against the body.
- Molded silicone wire pass-thru attached to socket wire prevents wicking and water leaking into the lamp compartment.
- Listed for wet location use.
- Warranty: 10 Years.



Mounting Plate Options:



Specifications:

MODEL:	DL-6	LAMPING:	MR11 Halogen (order separately) 20W Maximum (order separately) 2W LED (order separately)
MATERIAL:	6061-T6 Aluminum		
VOLTAGE:	12V		
WATTAGE:	20 Watt		
SOCKET:	GY 6.35 Bi-pin porcelain socket rated 600V, 250°C 18 ga, Teflon® coated leads.		

Ordering Logic:

MODEL	METAL	MOUNTING PLATE	STEM LENGTH	FINISH
DL - 6	A - Aluminum	1 - 4/0 Round	0 - None 9 - 9"	BK - Black BKT - Black Texture
		2 - 3/0 Round	3 - 3" 12 - 12"	BZ - Bronze BZT - Bronze Texture
		3 - Surface MT-11	6 - 6" 18 - 18"	WT - White SL - Silver
		4 - Surface MT-21		BG - Beige AC - Aged Copper

ORDERING EXAMPLE: DL - 6 - A - 1 - 0 - BK

Excelsior Lighting, Inc.

PROJECT

TYPE