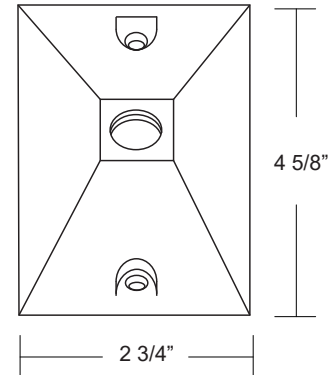


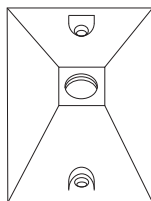
Single gang junction box covers. Utilized for junction mount installations.

- Cast aluminum construction.
- Seven standard TGIC powder coat finishes and clear anodized finish available.
- 1/2" NPS mount threads, accepts industry standard luminaires.
- Single and dual styles available.
- Hardware is included.
- Warranty: 10 Years.

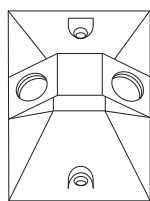


Specifications

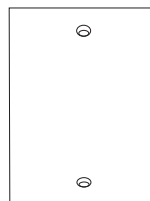
MODEL: MT-31
 MATERIAL: Cast Aluminum
 MOUNTING: 1/2" NPS



Single



Dual



Blank

Ordering Logic:

MODEL	STYLE	FINISH	
MT - 31	S - Single Mount	BK - Black	BKT - Black Texture
	D - Dual Mount	BZ - Bronze	BZT - Bronze Texture
	B - Blank	WT - White	SL - Silver
		BG - Beige	AC - Aged Copper

ORDERING EXAMPLE: MT - 31 - S - BK

Excelsior Lighting, Inc.

PROJECT

TYPE