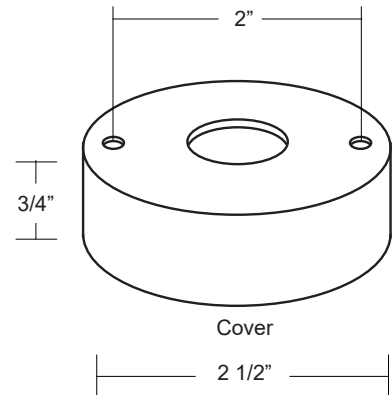
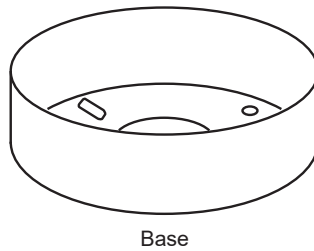


Surface mount canopy set with two screw mount holes. Utilized for surface mount installations.

- Machined aluminum construction.
- Seven polyester powder coat finishes on cap. Black anodized base.
- Mounting hardware not supplied
- 13/16" slip mount hole.
- Two 3/16" slotted mounting holes on base. Two 3/16" mounting holes on cover.
- Warranty: 10 Years.



### Specifications

MODEL: MT-19  
 MATERIAL: Machined Aluminum  
 MOUNTING: 13/16" slip hole

### Ordering Logic:

MODEL	METAL	FINISH	
MT - 19	A - Aluminum	BK - Black BZ - Bronze WT - White BG - Beige	BKT - Black Texture BZT - Bronze Texture SL - Silver AC - Aged Copper

ORDERING EXAMPLE: MT - 19 - A - BK

Excelsior Lighting, Inc.

PROJECT

TYPE