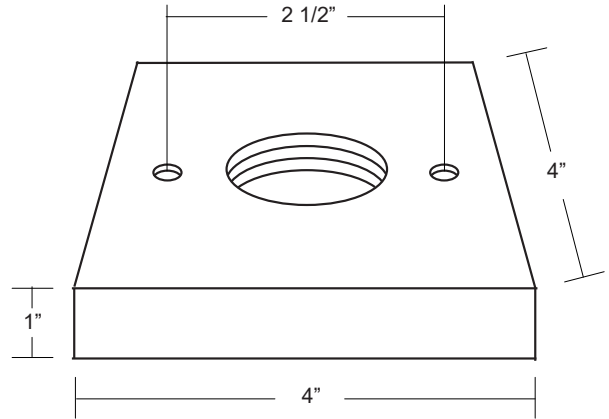


Pancake junction box cover with two screw mount holes. Utilized for junction mount installations.

- Machined aluminum construction.
- Seven standard TGIC powder coat finishes and clear anodized finish available.
- Mounting hardware not supplied
- 1/2" NPS threaded canopy accepts industry standard luminaires.
- Two 3/16" screw mount holes.
- Warranty: 10 Years.



Specifications

MODEL: MT-23
 MATERIAL: Machined Aluminum
 MOUNTING: 1/2" NPS mount threads

Ordering Logic:

MODEL	METAL	FINISH	
MT - 23	A - Aluminum	BK - Black	BKT - Black Texture
		BZ - Bronze	BZT - Bronze Texture
		WT - White	SL - Silver
		BG - Beige	AC - Aged Copper

ORDERING EXAMPLE: MT - 23 - A - BK

Excelsior Lighting, Inc.

PROJECT

TYPE