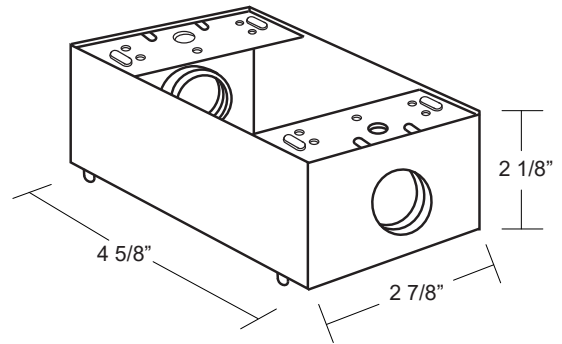


Cast aluminum junction box. Utilized for junction mount installations.

- Cast aluminum construction.
- Seven standard TGIC powder coat finishes and clear anodized finish available.
- Three 1/2" NPS mount threads, accepts industry standard conduit connections.
- Warranty: 10 Years.



Specifications

MODEL: MT-30  
 MATERIAL: Cast Aluminum  
 MOUNTING: (3) 1/2" NPS

Ordering Logic:

MODEL	FINISH	
MT - 30	BK- Black	BKT - Black Texture
	BZ - Bronze	BZT- Bronze Texture
	WT - White	SL - Silver
	BG - Beige	AC - Aged Copper

ORDERING EXAMPLE: MT - 30 - BK

Excelsior Lighting, Inc.

PROJECT

TYPE